



# Parts List & Instructions

815 Rice Lake Street, Owatonna, MN 55060

Phone: 800-443-2476 / 507-451-5430

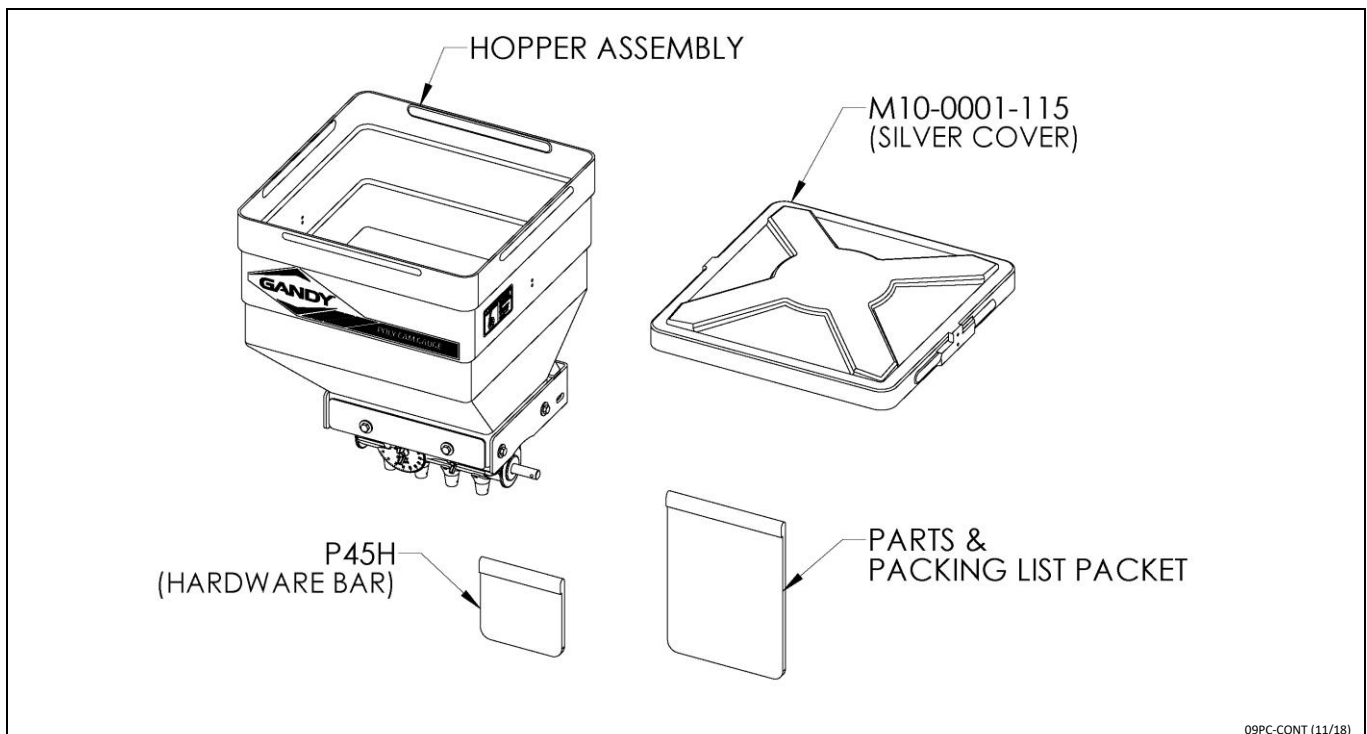
www.gandy.net / Email: sales@gandy.net

## 09PC02-R

### 100 LB (2.3 Cu Ft) Capacity Cam Gauge Applicator 2-outlet, Straight Spouts, Rubber Rotor Bar

#### Carton Containing the Following Items:

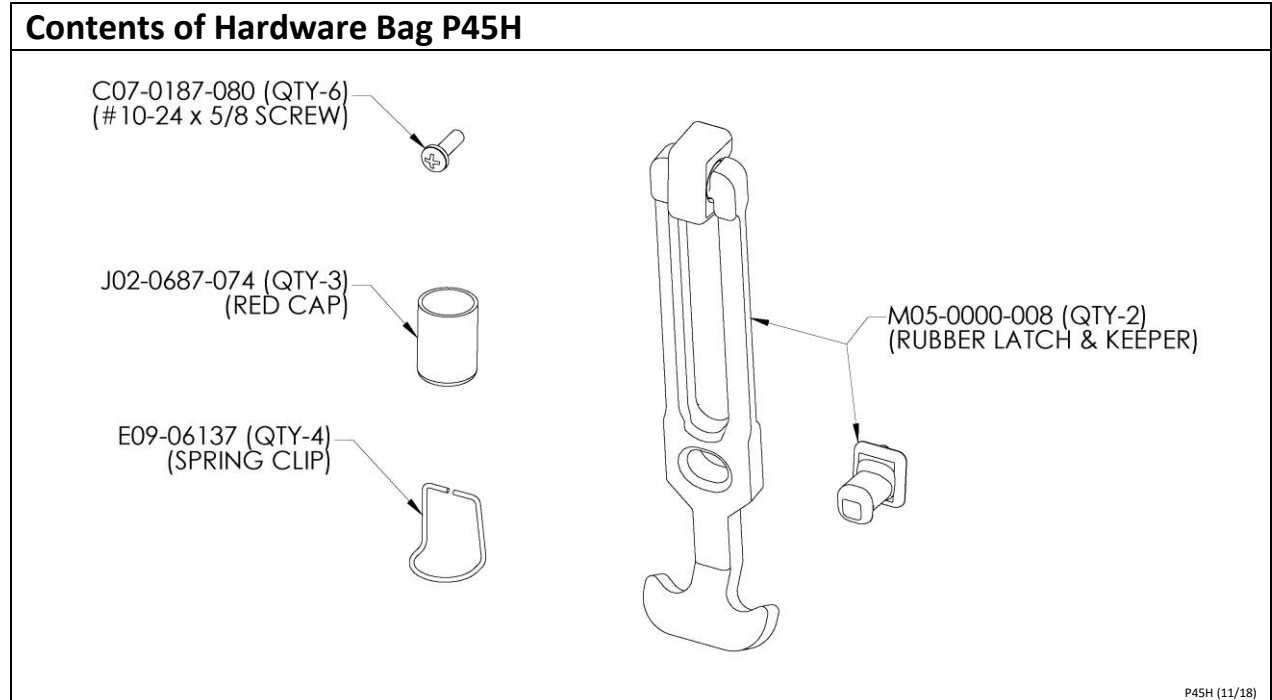
- 1..... 100 Lb. Poly Hopper Assemble, 2-Outlet Rubber Rotor Bar, Straight Spouts
- 1..... M10-0001-115..... Cover, Poly Hopper (Silver in Color)
- 1..... P45H..... Hardware Bag (See Next Page For Contents)
- 1..... Parts & Packing List Packet



09PC-CONT (11/18)

**Hardware Bag (P45H) Containing the Following:**

- 6 ..... C07-0187-080..... Pan Head Stainless Mach Screw (#10-24 x 5/8)
- 4 ..... E09-06137 ..... Spring Clip
- 3 ..... J02-0687-074..... Red Cap (11/16 I.D. x 1")
- 2 ..... M05-0000-008..... Rubber Latch & Keeper



## Complete Parts Break Down:

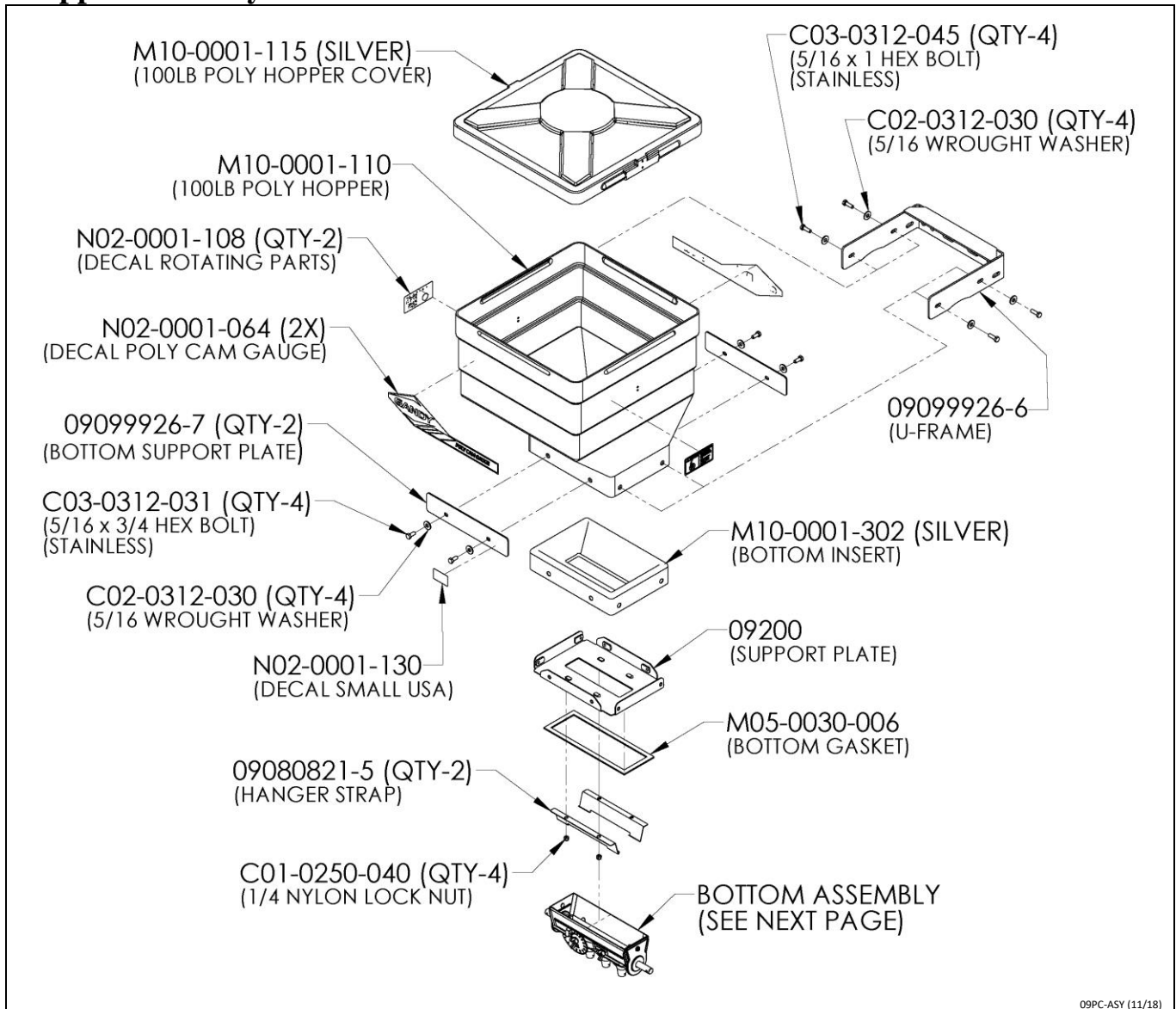
### 1..... 100 Lb. Hopper Assemble, Poly Cam Gauge 2-Outlet, Straight Spouts (All Parts & Hardware in Place Unless Otherwise Specified)

1.....M10-0001-110 .....	Poly Hopper Body, 100 Lb. (2.3 Cu Ft Capacity)
	Use: 2 Decal, Poly Cam Gauge (N02-0001-064)
	2 Decal, Rotation Parts Inside (N02-0001-108)
	1 Decal, Made in the USA (Small 1-1/4 x 2) (N02-0001-130)
1..... M10-0001-302.....	Bottom Insert P45 (Silver)
1..... 09200.....	Support Plate, Poly Cam Gauge
1..... M05-0030-006.....	Gasket, Bottom Cam Poly Hopper
2..... 09099926-7.....	Bottom Support Plate
	Use: 4 Hex Bolt (5/16 x 3/4 Stainless) (C03-0312-031)
	4 Wrought Washer (5/16) (C02-0312-030)
1..... 09099926-6.....	U-Frame, Poly Hopper
	Use: 4 Hex Bolt (5/16 x 1 Stainless) (C03-0312-045)
	4 Wrought Washer (5/16) (C02-0312-030)
2..... 09080821-5.....	Hanger Strap
	Use: 4 Lock Nut, Nylon (1/4) (C01-0250-040)
1..... 09099926-2C1 .....	Bottom & Slide, 2-Outlet, Straight Spout
	Use: 2 Wing Nut (5/16) (C01-0312-020)
	2 SAE Washer (5/16) (C02-0312-020)
	2 Whiz Flange Nut (3/16) (C01-0187-030)
	2 Nylon Washer (1/4) (C02-0250-011)
	1 Rear Hanger, Slide (09072637)
	1 Lock Strip (09072638)
	1 Cam Gauge (0906375)
	2 Spout, Straight (0908012-6)
	4 Rivet (C17-0281-050)
1..... 09069508.....	Rotor Bar, Rubber, 8-inch
	Use: 2 O-Ring (K03-0562-000)
	2 Washer, Stainless (09073507-7)
	4 Sponge Washer (1-1/2 x 5/16 x 5/8 ID) (C02-0625-051)
	2 Rotor Bar Spacer (09099926-11)
2..... M05-0664-401.....	Gasket (for Bearing)
2..... 090693.....	Bearing
2..... 09081826.....	Bearing Retainer
	Use: 2 Whiz Flange Nut (3/16) (C01-0187-030)

### The Following Part is Sipped Unassembled in Carton:

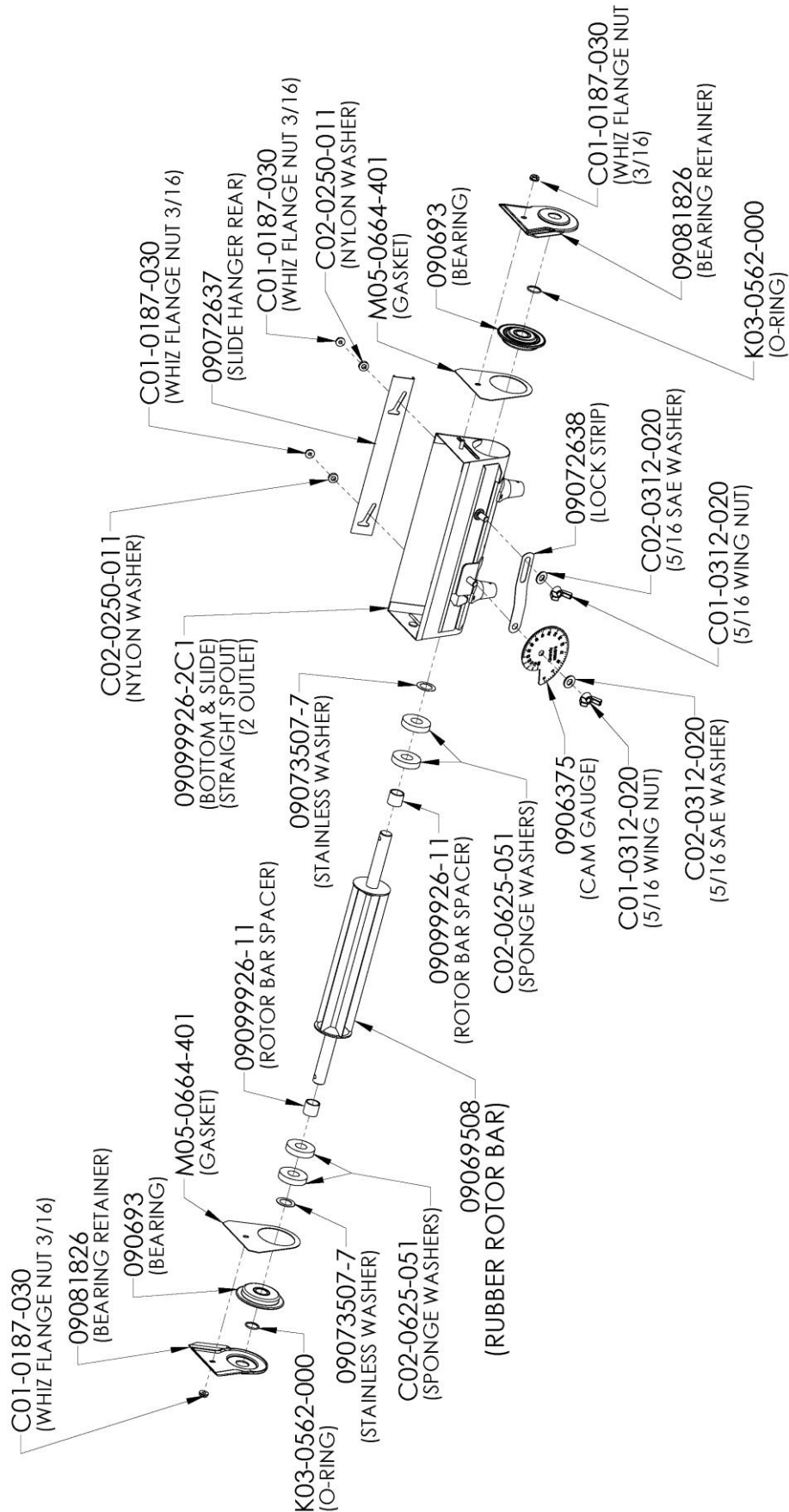
1..... M10-0001-115.....	Cover, 100 Lb. Poly Hopper (Silver in Color)
--------------------------	--

# Hopper Assembly Parts Schematic

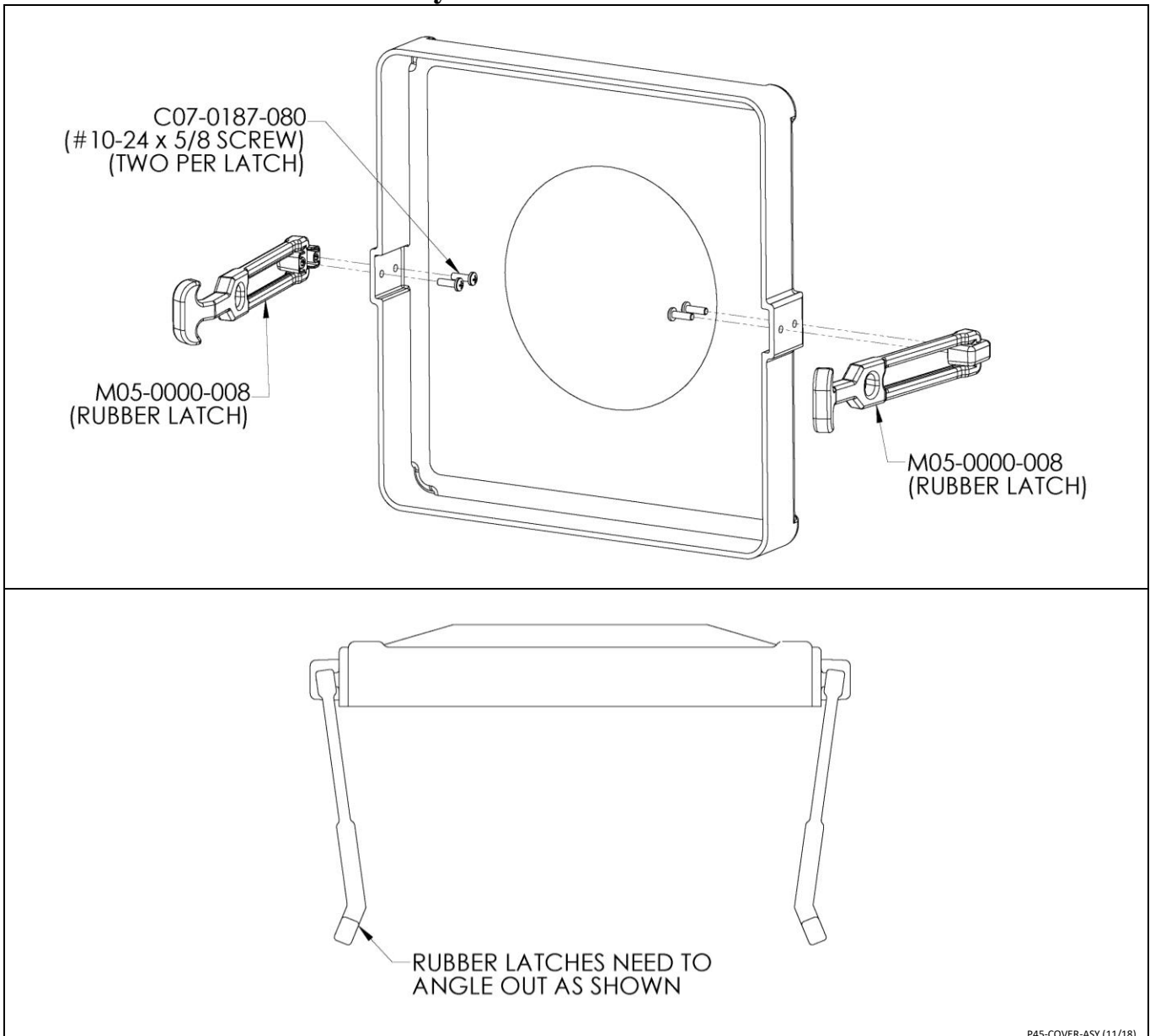


09PC-ASY (11/18)

# Bottom & Rotor Bar Assembly View

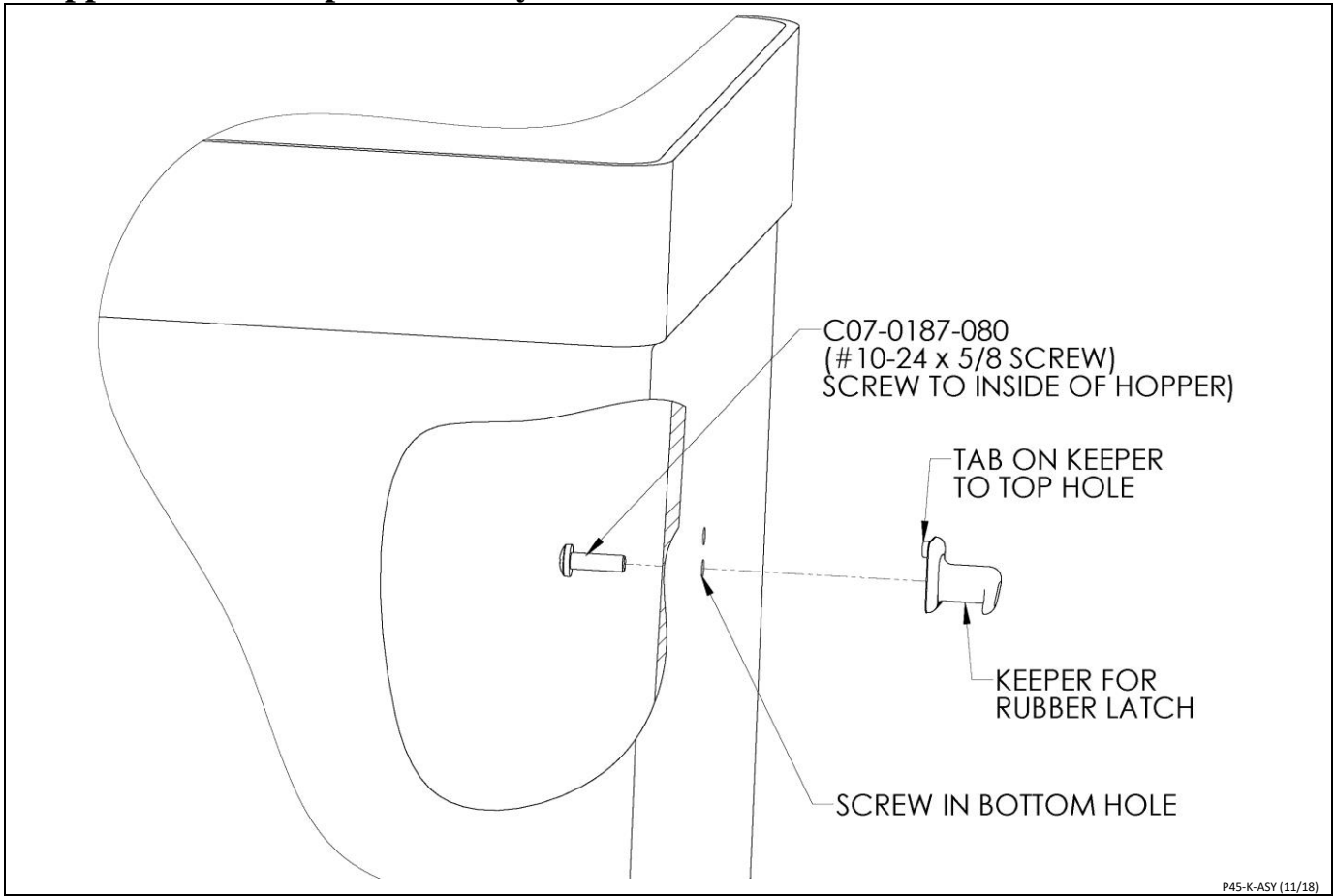


## Cover / Rubber Latch Assembly



Assemble both rubber latches to the two holes on the side of the poly hopper cover using the #10-24 x 5/8 screws (C07-0187-080) as shown.

## Hopper / Latch Keeper Assembly



Assemble rubber latch keeper to the two holes on the side of the poly hopper using one #10-24 x 5/8 screw (C07-0187-080) as shown. Repeat for the second keeper on the other side of hopper.

Red caps and spring clips that are supplied in the hardware bag are used to close off outlets that are not needed. Push red cap onto spout and secure using the spring clip. Push ends of spring clip through red cap and into holes on both sides of spout.

