



PARTS AND PACKING LIST

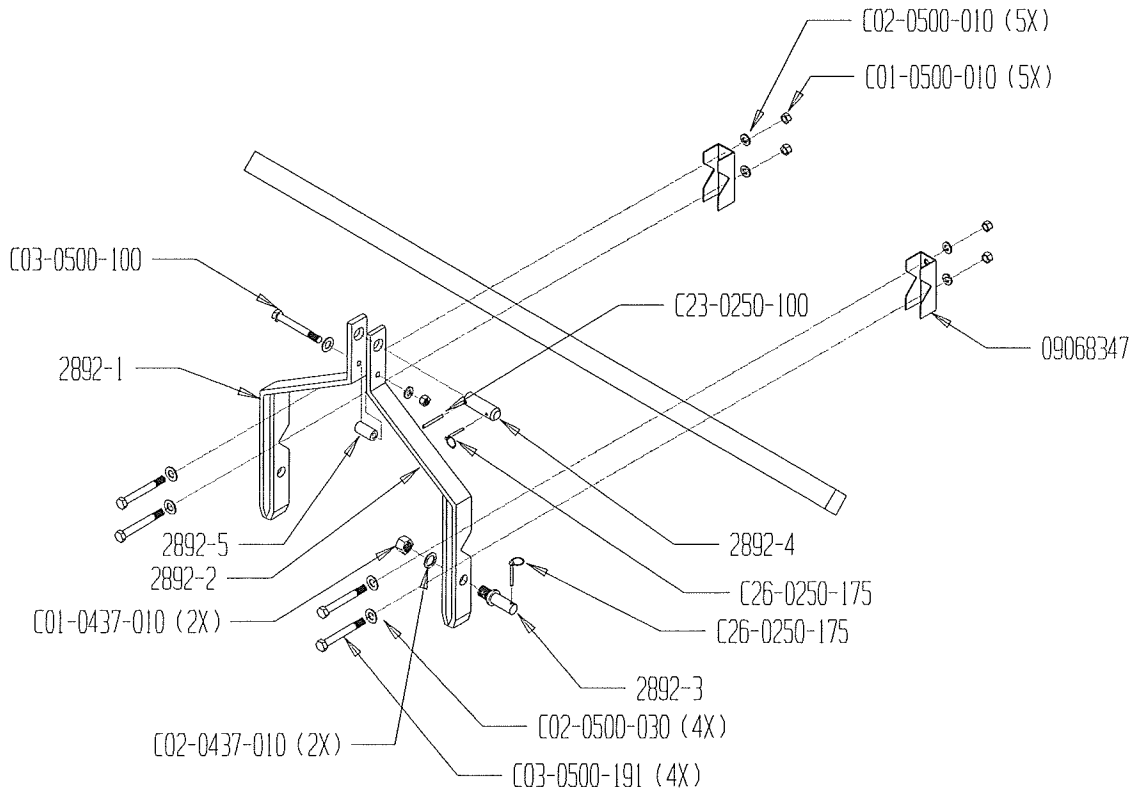
SINCE 1936, THE GRANULAR APPLICATOR PEOPLE

528 Gandrud Road, Owatonna Minnesota 55060 U.S.A. 507/451-5430

2892 3-Point Hitch, Category 0

ONE CARTON CONTAINING

1	2892-1	3-Pt. Hitch, left
1	2892-2	3-Pt. Hitch, right
2	09068347	Clamp cap
1	2892-H	Hardware bag
1	2892-5	Spacer bushing
2	2892-3	Lower hitch pin
1	2892-4	Yoke pin
1	C23-0250-180	Spring pin (1/4 x 1-1/2)
3	C26-0250-175	Lynch pin (1/4 x 1-3/4)
2	C01-0437-010	Hex nut (7/16)
2	C02-0437-010	Lock washer (7/16)
1	C03-0500-100	Hex bolt (1/2 x 2-1/2)
4	C02-0500-191	Hex bolt (1/2 x 5-1/2)
4	C02-0500-030	Wrought washer (1/2)
5	C02-0500-010	Lock washer (1/2)
5	C01-0500-010	Hex nut (1/2)



dr.