

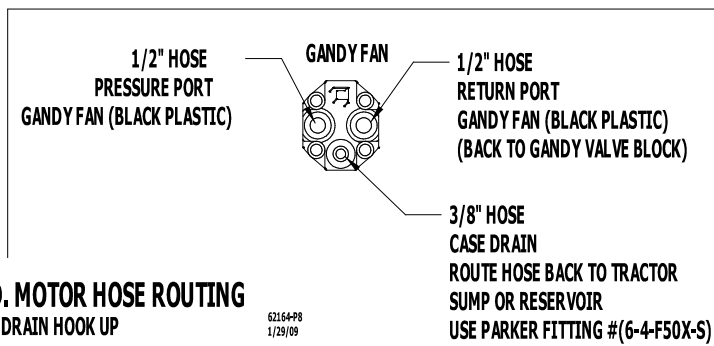
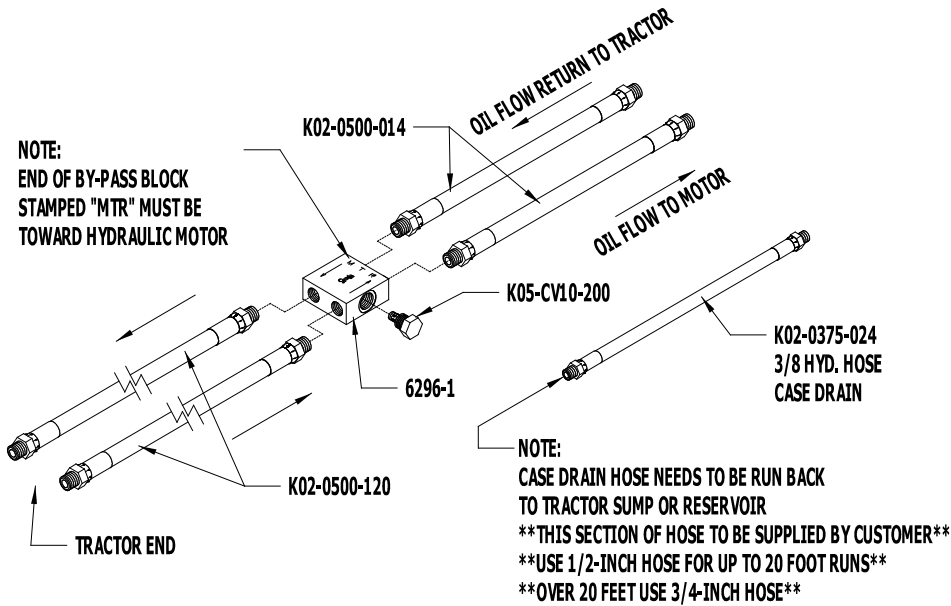
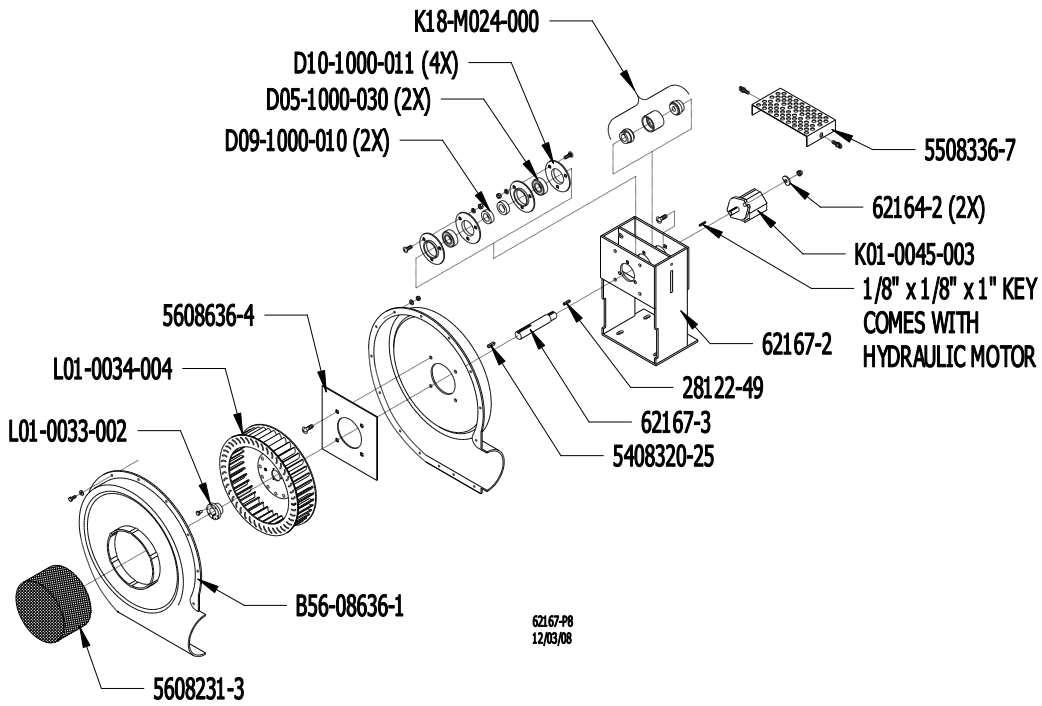


# Illustrated Parts & Packing List

528 Gandrud Road, Owatonna, MN 55060

## 62167-P8 Blower Assembly, Plastic Housing, With Crary Fan 8 GPM Casappa Hydraulic Motor, Horizontal Discharge

- 1..... 62167-P8 ..... Blower Assembly, 8 GPM Hydraulic Motor w/Case Drain**
- 1 ..... B56-08636-1 ..... Front Housing, Blower
  - Use: 14 Hex Bolt (1/4 x 3/4) (C03-0250-030)
  - 28 SAE Washer (1/4) (C02-0250-020)
  - 14 Lock Nut, Nylon (1/4) (C01-0250-040)
- 1 ..... B56-08636-2 ..... Back Housing, Blower
- 1 ..... 5608636-4 ..... Back-Up Plate
  - Use: 4 Carriage Bolt (3/8 x 1-1/4) (C04-0375-051)
  - 4 Lock Nut, Nylon (3/8) (C01-0375-041)
- 1 ..... 5608231-3 ..... Screen, Blower
  - Use: 3 Ph Hd Sheet Screw (#10 x 3/4) (C07-0187-090)
- 1 ..... 62167-2 ..... Mount, Blower
  - Use: 4 Hex Bolt (3/8 x 1-1/2) (C03-0375-061)
  - 4 Lock Washer (3/8) (C02-0375-010)
  - 8 Wrought Washer (3/8) (C02-0375-030)
  - 4 Hex Nut (3/8) (C01-0375-010)
  - 2 Decal, Warning (N02-0055-010)
  - 2 Decal, Important, Hyd Motor (N02-0062-043)
  - 1 Decal, Caution (N02-0062-050)
  - 1 Decal, Tag Important, Caution (N04-0000-000)
- 1 ..... L01-0034-004 ..... Fan, Impeller (For Plastic Housing)
  - Use: 1 Bushing (For 1-inch Shaft) (L01-0033-002)
- 1 ..... 5408320-25 ..... Key (1/4 x 1) (For Fan Impeller Bushing)
- 1 ..... 62167-3 ..... Shaft (1-inch Round x 6-inch Long)
- 1 ..... 28122-49 ..... Key, Coupler (3/16 x 1) (For Fan Shaft Coupler)
- 1 ..... K18-M024-000 ..... Coupler Assembly (9/16 & 7/8 Shaft & Coupler Sleeve)
- Replacement Parts ..... (K18-M024-003 Black Plastic Coupler Sleeve) (5508230-5 1/8 x1 Key)  
(K18-M024-004 Coupler For 9/16 Shaft on Hyd Motor)  
(K18-M024-005 Coupler For 7/8 Shaft on End of Fan Shaft)
- 1 ..... K01-0045-003 ..... Hydraulic Motor (Casappa)
  - Use: 2 Carriage Bolt (3/8 x 1-1/4) (C04-0375-051)
  - 2 Washer, Motor Side, Stainless (62164-2)
  - 2 Lock Nut, Nylon (3/8) (C01-0375-041)
- 2 ..... D05-1000-030 ..... Bearing & Locking Collar (For 1-inch Shaft)
- 4 ..... D10-1000-011 ..... Flangette, Round (For Bearing D05-1000-030)
  - Use: 6 Carriage Bolt (5/16 x 1) (C04-0312-040)
  - 6 Lock Washer (5/16) (C02-0312-010)
  - 6 Hex Nut (5/16) (C01-0312-010)
- 1 ..... 5508336-7 ..... Guard, Blower Shaft
  - Use: 2 Thumb Screw (5/16 x 3/4) (C09-0312-100)
- 2 ..... K02-0500-120 ..... Hydraulic Hose, 1/2 x 120"
- 2 ..... K02-0500-014 ..... Hydraulic Hose, 1/2 x 14" With O-Ring Fitting On One End
- 1 ..... K02-0375-024 ..... Hydraulic Hose, 3/8 x 24" (Case Drain)
- 1 ..... L04-0005-000 ..... Ty Rap (5/16 x 15-1/4)
- 1 ..... 62113 ..... Hydraulic, By-Pass Block Assembly With Check Valve**
- 1 ..... K05-CV10-200 ..... Check Valve
- 1 ..... 6296-1 ..... Hydraulic By-Pass Block



**GANDY FAN 8 GPM HYD. MOTOR HOSE ROUTING**  
 WITH CASE DRAIN HOOK UP

Drawings; 62167-P8, 62164-P8  
 October 27, 2010 / Revised From (1/9/09)  
 (62167-P8) mw / Printed in the USA