



Illustrated Parts & Packing List

815 Rice Lake Street, Owatonna, MN 55060

For a complete distributor & dealer list go to www.gandy.net

Model 1006T, 1008T, 1010T or 1012T

(All Hardware in Place Unless Specified)

One Hopper Bundle Containing:

6'	8'	10'	12'
1			
	1		
		1	
			1

016651.....Hopper, 6-Foot With Bearings in Place

- Use: 1 Decal, 10 Series Drop Spreader (N02-0001-077)
- 1 Decal, Caution (N02-0014-010)
- 1 Decal, Important (N02-0014-020)
- 1 Decal, Warning (N02-0057-000)

3010672Bearing, End & Center

3010743Grease Tube Assembly, End & Center Bearing

- Use: 3 Hex Nut, Fine Thread (3/8-24) (C01-0375-011)
- 1 Lube Cap, Yellow (J02-0375-000) (in hardware bag)
(for center grease tube)

018651.....Hopper, 8-Foot With Bearings in Place

- Use: 1 Decal, 10 Series Drop Spreader (N02-0001-077)
- 1 Decal, Caution (N02-0014-010)
- 1 Decal, Important (N02-0014-020)
- 1 Decal, Warning (N02-0057-000)

3010672Bearing, End & Center

3010743Grease Tube Assembly, End & Center Bearing

- Use: 3 Hex Nut, Fine Thread (3/8-24) (C01-0375-011)
- 1 Lube Cap, Yellow (J02-0375-000) (in hardware bag)
(for center grease tube)

0110651.....Hopper, 10-Foot With Bearing in Place

- Use: 1 Decal, 10 Series Drop Spreader (N02-0001-077)
- 1 Decal, Caution (N02-0014-010)
- 1 Decal, Important (N02-0014-020)
- 1 Decal, Warning (N02-0057-000)

3010672Bearing, End & Center

3010743Grease Tube Assembly, End & Center Bearing

- Use: 3 Hex Nut, Fine Thread (3/8-24) (C01-0375-011)
- 1 Lube Cap, Yellow (J02-0375-000) (in hardware bag)
(for center grease tube)

0112651.....Hopper, 12-Foot With Bearings in Place

- Use: 1 Decal, 10 Series Drop Spreader (N02-0001-077)
- 1 Decal, Caution (N02-0014-010)
- 1 Decal, Important (N02-0014-020)
- 1 Decal, Warning (N02-0057-000)

3010672Bearing, End & Center

3010743Grease Tube Assembly, End & Center Bearing

- Use: 3 Hex Nut, Fine Thread (3/8-24) (C01-0375-011)
- 1 Lube Cap, Yellow (J02-0375-000) (in hardware bag)
(for center grease tube)

6'	8'	10'	12'	
2	2	2	2	010656-3Clutch Pin Use: 2 Cotter Pin (1/8 x 3/4) (C20-0125-020)
2	2	2	2	010656-4Lever, Clutch Pin Use: 2 Clutch Washer (33/64 I.D.) (C02-0515-070) 2 Washer (1/2) (C02-0500-021) 2 Cotter Pin (1/8 x 1) (C20-0125-030) 2 Spring, Clutch (E01-0666-4)
1	1	1	1	0106548..Axle, Left Use: 2 Hex Bolt (3/8 x 4-1/2 gr8) (C03-0375-171) 2 Hex Bolt (3/8 x 5 gr8) (C03-0375-181) 4 Lock Washer (3/8) (C02-0375-010) 4 Hex Nut (3/8) (C01-0375-010) 2.....010655-3Collar, Wheel Hub Use: 2 Grease Fitting (D01-5010-050) 4 Lock Washer (3/8) (C02-0375-010) 4 Hex Nut (3/8) (C01-0375-010) 4 Hex Bolt (3/8 x 1-3/4) (C01-0375-071) (Lower Holes, Collar to Axel Plate) 1.....0106360Wheel Hub Use: 6 Hub Stud Bolt (1/2-20 x 1-5/8) (C14-0500-060) 6 Hub Nut (1/2-20) (C01-0500-080) 1 Grease Fitting (D01-5300-050)
1	1	1	1	0106549..Axle, Right Use: 2 Hex Bolt (3/8 x 4-1/2 gr8) (C03-0375-171) 2 Hex Bolt (3/8 x 5 gr8) (C03-0375-181) 4 Lock Washer (3/8) (C02-0375-010) 4 Hex Nut (3/8) (C01-0375-010) 2.....010655-3Collar, Wheel Hub Use: 2 Grease Fitting (D01-5010-050) 4 Lock Washer (3/8) (C02-0375-010) 4 Hex Nut (3/8) (C01-0375-010) 4 Hex Bolt (3/8 x 1-3/4) (C01-0375-071) (Lower Holes, Collar to Axel Plate) 1.....0106360Wheel Hub Use: 6 Hub Stud Bolt (1/2-20 x 1-5/8) (C14-0500-060) 6 Hub Nut (1/2-20) (C01-0500-080) 1 Grease Fitting (D01-5300-050)
1	1	1	1	0106751..Stub Drive, Complete

6'	8'	10'	12'
1			
	1		
		1	
			1
1			
1			
	1		
	1		
		1	
		1	
			1
1	1	1	1
1	1	1	1

0568011&12Bottom & Slide Assembly, 6-Foot

- Use: 16 Hex Bolt (1/4 x 3/4) (C03-0250-030)
16 Hex Nut (1/4) (C01-0250-010)
2 Rear Hanger 6-Ft (0108016-32)
4 Whiz Flange Nut (3/16) (C01-0187-030)
4 Nylon Grip Washer (1/4) (C02-0250-011)
2 Phillips Head Sheet Metal Screw (#10-16) (C07-0187-040)

0588011&12Bottom & Slide Assembly, 8-Foot

- Use: 20 Hex Bolt (1/4 x 3/4) (C03-0250-030)
20 Hex Nut (1/4) (C01-0250-010)
4 Rear Hanger (0108016-21)
8 Whiz Flange Nut (3/16) (C01-0187-030)
8 Nylon Grip Washer (1/4) (C02-0250-011)
4 Phillips Head Sheet Metal Screw (#10-16) (C07-0187-040)

05108011&12Bottom & Slide Assembly, 10-Foot

- Use: 24 Hex Bolt (1/4 x 3/4) (C03-0250-030)
24 Hex Nut (1/4) (C01-0250-010)
4 Rear Hanger 10-FT (0108016-24)
8 Whiz Flange Nut (3/16)(C01-0187-030)
8 Nylon Grip Washer (1/4)(C02-0250-011)
4 Phillips Head Sheet Metal Screw (#10-16)(C07-0187-040)

05128011&12Bottom & Slide Assembly, 12-Foot

- Use: 28 Hex Bolt (1/4 x 3/4) (C03-0250-030)
28 Hex Nut (1/4) (C01-0250-010)
4 Rear Hanger 6-Ft (0108016-32)
8 Whiz Flange Nut (3/16) (C01-0187-030)
8 Nylon Grip Washer (1/4) (C02-0250-011)
4 Phillips Head Sheet Metal Screw (#10-16) (C07-0187-040)

0568098-1Rotor Bar Left, 6-Foot (Black)

0568098-2Rotor Bar Right, 6-Foot (Red)

0588098-1Rotor Bar Left, 8-Foot (Black)

0588098-2Rotor Bar Right, 8-Foot (Red)

05108098-1Rotor Bar Left, 10-Foot (Black)

05108098-2Rotor Bar Right, 10-Foot (Red)

05128098-1Rotor Bar Left, 12-Foot (Black)

05128098-2Rotor Bar Right, 12-Foot (Red)

0108075..Cam Gauge

- Use: 1 Wing Nut, Large (1/2) (C01-0500-021)
2 Shake Proof Lock Washer (1/2) (C02-0500-040)

0108136..Connector Link, Bottom

- Use: 1 Cotter Pin (1/8 x 1) (C20-0125-030)

6'	8'	10'	12'	
1				0166517-1Cover, Left, 6-Foot Use: 2 Clevis Pin (1/4 x 2-5/8)(C22-0250-200) (in hardware bag) 2 Cotter Pin (3/32 x 3/4)(C20-0093-020) (in hardware bag)
1				0166517-2Cover, Right, 6-Foot Use: 2 Clevis Pin (1/4 x 2-5/8)(C22-0250-200) (in hardware bag) 2 Cotter Pin (3/32 x 3/4)(C20-0093-020) (in hardware bag)
	1			0186517-1Cover, Left, 8-Foot Use: 2 Clevis Pin (1/4 x 2-5/8)(C22-0250-200) (in hardware bag) 2 Cotter Pin (3/32 x 3/4)(C20-0093-020) (in hardware bag)
	1			0186517-2Cover, Right, 8-Foot Use: 2 Clevis Pin (1/4 x 2-5/8)(C22-0250-200) (in hardware bag) 2 Cotter Pin (3/32 x 3/4)(C20-0093-020) (in hardware bag)
		1		01106517-1Cover, Left, 10-Foot Use: 2 Clevis Pin (1/4 x 2-5/8)(C22-0250-200) (in hardware bag) 2 Cotter Pin (3/32 x 3/4)(C20-0093-020) (in hardware bag)
		1		01106517-2Cover, Right, 10-Foot Use: 2 Clevis Pin (1/4 x 2-5/8)(C22-0250-200) (in hardware bag) 2 Cotter Pin (3/32 x 3/4)(C20-0093-020) (in hardware bag)
			1	01126517-1Cover, Left, 12-Foot Use: 2 Clevis Pin (1/4 x 2-5/8)(C22-0250-200) (in hardware bag) 2 Cotter Pin (3/32 x 3/4)(C20-0093-020) (in hardware bag)
			1	01126517-2Cover, Right, 12-Foot Use: 2 Clevis Pin (1/4 x 2-5/8)(C22-0250-200) (in hardware bag) Cotter Pin (3/32 x 3/4)(C20-0093-020) (in hardware bag)
4	4	4	4	1406318..Cover Lock (in hardware bag) Use: 4 Cotter Pin (3/32 x 3/4)(C20-0093-020) (in hardware bag)
1	1	1	1	0106519..Rain Trough Use: 1 Drive Screw (#12 x 1/2)(C11-0209-010) (in hardware bag)
16	22	28	34	0506394-334Powder Angle (3-3/4") Use: Hex Bolt (1/4 x 1) (C03-0250-040) (One Per Powder Angle) SAE Washer (1/4) (C02-0250-020) (One Per Powder Angle)
2	2	2	2	0506394-100Powder Angle (1-inch) Use: Hex Bolt (1/4 x 1) (C03-0250-040) (One Per Powder Angle) SAE Washer (1/4) (C02-0250-020) (One Per Powder Angle)

6'	8'	10'	12'
1			
	1		
	1		
		1	
		1	
			1
			1
2	4	4	4
2	4	4	4
1	1	1	1

- 4367921.....Spread Plate, 6 Foot (ONE ONLY)
Use: 2 Sash Chain #50 (21 Link) (05108121-1/1)
2 Cotter Pin (3/16 x 3/4) (C20-0187-010)
- 0588221-1.....Spread Plate, Left, 8-Foot
Use: 2 Sash Chain #50 (21 Link) (05108121-1/1)
2 Cotter Pin (3/16 x 3/4) (C20-0187-010)
- 0588221-2.....Spread Plate, Right, 8-Foot
Use: 2 Sash Chain #50 (21-Link) (05108121-1/1)
2 Cotter Pin (3/16 x 3/4) (C20-0187-010)
- 05108121-1.....Spread Plate, Left, 10-Foot
Use: 2 Sash Chain #50 (21-Link) (05108121-1/1)
2 Cotter Pin (3/16 x 3/4) (C20-0187-010)
- 05108121-2.....Spread Plate, Right, 10-Foot
Use: 2 Sash Chain #50 (21-Link) (05108121-1/1)
2 Cotter Pin (3/16 x 3/4) (C20-0187-010)
- 43127921-1.....Spread Plate, Left, 12-Foot
Use: 2 Sash Chain #50 (21-Link) (05108121-1/1)
2 Cotter Pin (3/16 x 3/4) (C20-0187-010)
- 43127921-2.....Spread Plate, Right, 12-Foot
Use: 2 Sash Chain #50 (21-Link) (05108121-1/1)
2 Cotter Pin (3/16 x 3/4) (C20-0187-010)
- 43127920.....Hanger Strap, Spread Plate
- 4307918.....Chain Hook, Spread Plate

1000-H.....Hardware Bag Containing:

- 2.....C01-0375-010.....Hex Nut (3/8)
4.....C01-0500-040.....Lock Nut, Center Point (1/2)
12.....C01-0500-080.....Hub Nut (1/2-20)
2.....C01-0625-010.....Hex Nut (5/8)
1.....C01-0750-071.....Castellated Nut (3/4)
2.....C02-0375-010.....Lock Washer (3/8)
3.....C02-0625-010.....Lock Washer (5/8)
2.....C02-0750-030.....Wrought Washer (3/4)
2.....C03-0375-051.....Hex Bolt (3/8 x 1-1/4 gr5)
1.....C03-0375-081.....Hex Bolt (3/8 x 2 gr5)
4.....C03-0500-050.....Hex Bolt (1/2 x 1-1/4 gr5)
1.....C03-0625-071.....Hex Bolt (5/8 x 1-3/4 gr5)
1.....C03-0625-130.....Hex Bolt (5/8 x 3-1/4 gr5)
1.....C11-0209-010.....Drive Screw (#12 x 1/2)
8.....C20-0093-020.....Cotter Pin (3/32 x 3/4)
1.....C20-0125-030.....Cotter Pin (1/8 x 1)
1.....C20-0187-030.....Cotter Pin (3/16 x 1-1/4)
4.....C22-0250-200.....Clevis Pin (1/4 x 2-5/8)
1.....J02-0375-000.....Lube Cap, Yellow
4.....L04-0005-000.....Cable Tie (.31 x 15-1/4)
1.....M10-0005-004.....Manual Holder (With Manuals Inside)
1.....M11-0025-000.....S.M.V. Mounting Socket
1.....013441216.....Bolt, Lever Pivot (Hex Bolt 3/4 x 4-1/2)
1.....0197102-1.....Manual Holder Bracket
4.....1406318.....Cover Lock

1 ... 01A6526 Pole Bundle Containing:

- 1.....0106526.....Pole, Drawbar
Use: 1 Hex Bolt (5/8 x 2) (C03-0625-080) (in hardware bag)
1 Lock Washer (5/8) (C02-0625-010) (in hardware bag)
1 Hex Nut (5/8) (C01-0625-010) (in hardware bag)
- 1.....0305234.....Knee Lever (in place)
Use: 1 Clevis Pin (1/2 x 1-27/64) (C22-0500-030) (in place)
1 Cotter Pin (1/8 x 1) (C20-0125-030) (in place)
2 Retaining Ring, E-Clip (1 Inch Shaft) (in place)
- 1.....0305229.....Shut-Off Lever, Lower Part
Use: 1 Bolt, Lever Pivot (3/4 x 4-1/2) (013441216)A (in hardware bag)
1 Castellated Nut (3/4) (C01-0750-070) (in hardware bag)
1 Cotter Pin (3/16 x 1-1/4) (C20-0187-030) (in hardware bag)
- 1.....305429-3Shut-Off Lever, Upper Part
Use: 1 Rubber Grip (J01-1000-462) (in place)
2 Hex Bolt (3/8 x 1-1/4) (C03-0375-051) (in hardware bag)
2 Lock Washer (3/8) (C02-0375-010) (in hardware bag)
2 Hex Nut (3/8) (C01-0375-010) (in hardware bag)
- 1.....0106531.....Drag Link
Use: 2 Cotter Pin (1/8 x 1) (C20-0125-030) (in hardware bag)
- 1.....0106524.....Brace, Center
Use: 1 Hex Bolt (5/8 x 1-3/4) (C03-0625-070) (in hardware bag)
1 Hex Bolt (5/8 x 3-1/4) (C03-0625-130) (in hardware bag)
2 Lock Washer (5/8) (C02-0625-010) (in hardware bag)
1 Hex Nut (5/8) (C01-0625-010) (in hardware bag)
- 1.....0105723.....Upright, Center Brace
Use: 2 Lock Washer (5/8) (C02-0625-010) (in place)
2 Hex Nut (5/8) (C01-0625-010) (in place)
- 1.....0197102-1Manual Holder Bracket (in hardware bag)
Use: 2 Cable Tie (.31 x 15-1/4) (L04-0005-000) (in hardware bag)
- 1.....M10-0005-004Manual Holder (in hardware bag)
Use: 2 Cable Tie (.31 x 15-1/4) (L04-0005-000) (in hardware bag)

One Of The Following Brace Bundles Shipped With Spreader:

- 01A66125 Brace Bundle, 6-Foot**
 - 1.....0166125-1Brace, Side Pole, Left, 6-Foot
 - 1.....0166125-2Brace, Side Pole, Right, 6-Foot

OR

- 01A85525 Brace Bundle, 8-Foot**
 - 1.....0185525-1Brace, Side Pole, Left, 8-Foot
 - 1.....0185525-2Brace, Side Pole, Right, 8-Foot

OR

- 01A105525 Brace Bundle, 10-Foot**
 - 1.....01105525-1Brace, Side Pole, Left, 10-Foot
 - 1.....01105525-2Brace, Side Pole, Right, 10-Foot

OR

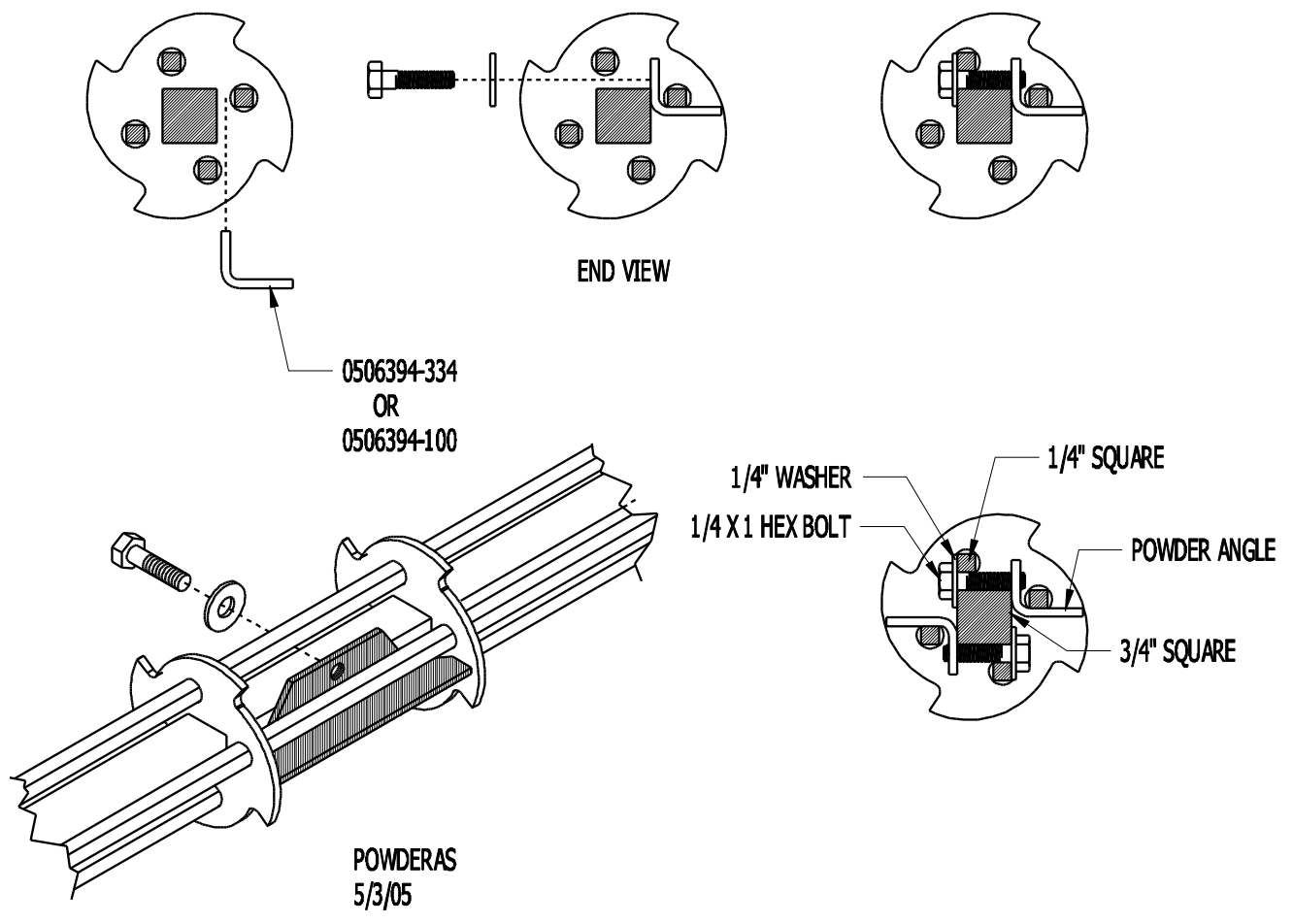
- 01A125525 Brace Bundle, 12-Foot**
 - 1.....01125525-1Brace, Side Pole, Left, 12-Foot
 - 1.....01125525-2Brace, Side Pole, Right, 12-Foot

Two Disk Wheel Bundles Containing:

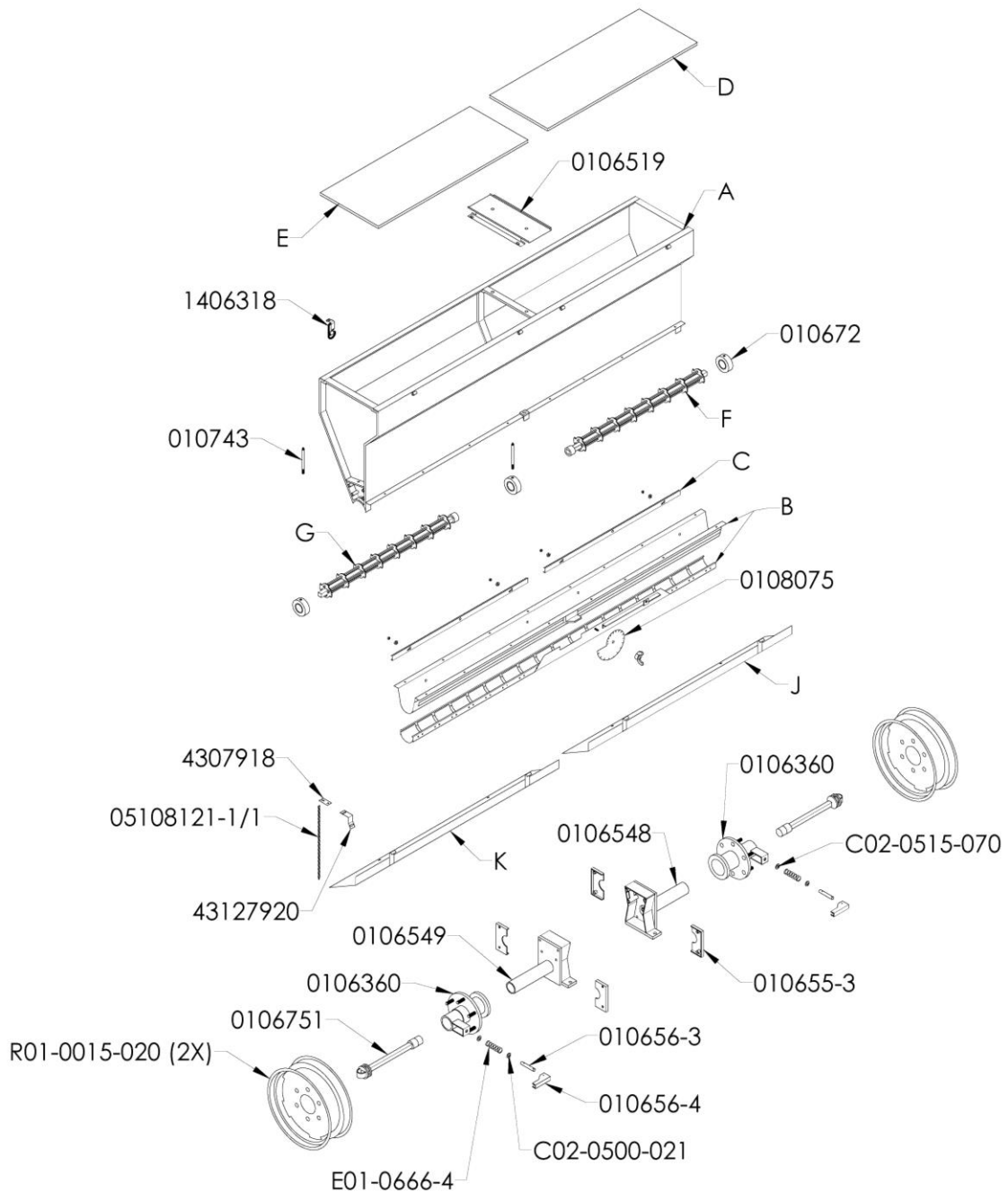
- 2.....R01-0015-020 Disk Wheel Bundle (One in Each Bundle)

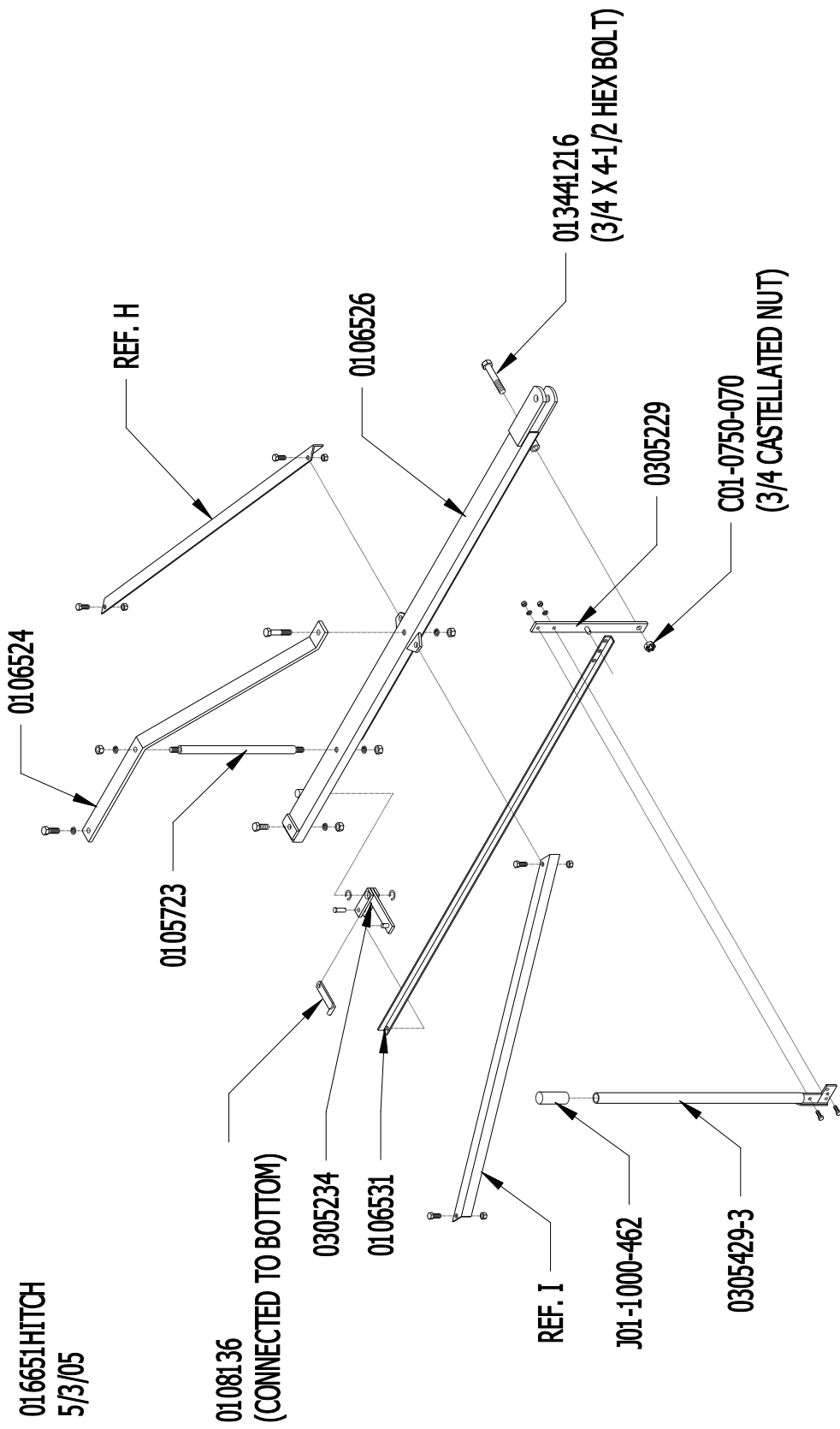
Powder Angles

Powder Angles are recommended for powdery materials. They are furnished with "T" series unites, available for agricultural models. Install alternately UP and Down. Draw hex bolt snug with out bowing 1/4 inch square rod.



Reference	1006T	1008T	1010T	1012T
A	016651	018651	0110651	0112651
B	0568011&12	0588011&12	05108011&12	05128011&12
C	0108016-32	0108016-21	0108016-24	0108016-32
D	0166517-1	0186517-1	01106517-1	01126517-1
E	0166517-2	0186517-2	01106517-2	01126517-2
F	0568098-1	0588098-1	05108098-1	05128098-1
G	0568098-2	0588098-2	05108098-2	05128098-2
H	0166125-1	0185525-1	01105525-1	01125525-1
I	0166125-2	0185525-2	01105525-2	01125525-2
J	4367921	0588221-1	05108121-1	43127921-1
K	-----	0588221-2	05108121-2	43127921-2

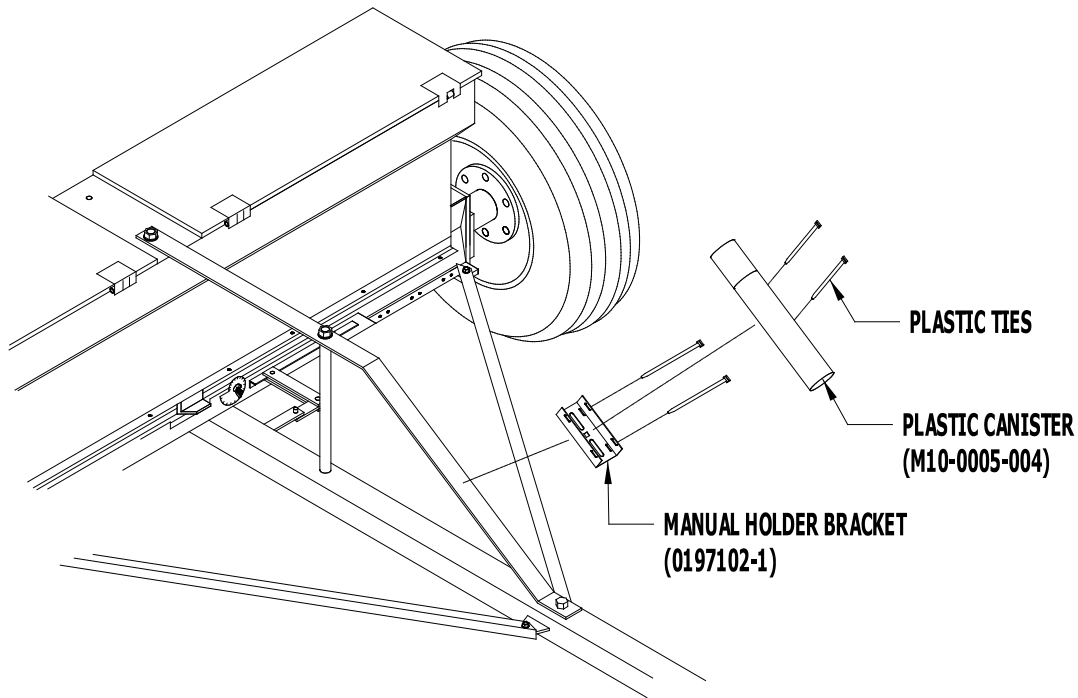




Manual Holder Bracket

Mount manual holder in a convergent location on unit.

Store Operator's manual, Packing List & Rate Chart for convergent access.



Maintenance

Check all bolts for tightness after first two hours of use; check periodically thereafter.

Grease all fittings regularly.

There are **ten** grease fittings on these hoppers.

There are **three** grease fittings on each wheel hub.

There is **one** grease fitting on each end bearing and **one** on the center bearing inside hopper.

There is **one** grease fitting on knee lever (part #0106531) see page #8.

See operator's manual for further instructions.

Optional Accessories (Ordered Separately, Not Part of Hopper Assembly)

#0101103----- Electric Actuator Shut-Off

#3209743----- Hydraulic Cylinder Shut-Off

#0108013----- Clamp-on Hole Closures (to close off openings, order one per opening)

#0108190----- Deflector, Side –Dressing (order one per opening)

Calibration Pans (For Catching Material)

#01125214 ----- Calibration Pan 6-Ft Long (order one for 6-ft hopper) (order two for a 12-ft hopper)

#01105214 ----- Calibration Pan 5-Ft Long (order two for a 10-ft hopper)

#0185214----- Calibration Pan 4-Ft Long (order two for a 8-ft hopper)

GDY-1006T-12T-PPL

Drawings; POWDERAS, 016651, 016651HITCH, HOLD2

February 21, 2014

Revised From (7/8/13)

Printed in the USA