



Illustrated Parts & Packing List

815 Rice Lake Street, Owatonna, MN 55060

For a complete distributor & dealer list go to www.gandy.net

6210C Orbit-Air[®] Applicator
10 CU. FT. (.28m³) Hopper, 450-Lb Chemical Capacity Implement-Mounted
w/ 10 (1-1/4") Openings, Chemical (C) Black Wheels
For Use w/ 1-inch I.D. Tubing
Split Metering Shaft, Two Clutch
(All Parts & Hardware in Place Unless Otherwise Specified)

- 1..... 628720-1.....Hopper 10 Cu Ft
 - Use: 2 Sight Window (610851/26)
 - 4 Rails (610851/27)
 - 12 Pop Rivet (3/16 x 3/8) (C19-0187-030)
 - 2 Decal, Caution Moving Parts (N02-0014-010)
 - 2 Decal, Orbit Air 62 Series Small (N02-0001-078)
 - 1 Decal, Important Metering Wheel (N02-0062-040)
 - 1 Decal, Black on Yellow (N02-0062-050)
- 1..... 628720-10.....Mounting Arm, Hopper, Left
 - Use: 8 Carriage Bolt (3/8 x 1) (C04-0375-040)
 - 8 Whiz Flange Nut (3/8) (C01-0375-030)
- 1..... 628720-11.....Mounting Arm, Hopper, Right
 - Use: 6 Carriage Bolt (3/8 x 1) (C04 -0375-040)
 - 2 Carriage Bolt (3/8 x 1-1/4) (C04-0375-051)
 - 8 Whiz Flange Nut (3/8) (C01-0375-030)
- 2..... 63861-3.....Screen (10 Cu Ft Hopper)
- 1..... 63861-2.....Cover, 10 Cu Ft
 - Use: 2 Clevis Pin (1/4 x 2-5/8) (C22-0250-200)
 - 2 Cotter Pin (3/32 x 3/4) (C20-0093-020)
- 2..... 1406318.....Cover Lock
 - Use: 2 Cotter Pin (3/32 x 3/4) (C20-0093-020)
- 1..... 62852-24.....Clear Windshield (For 10 Cu Ft Hopper)
 - Use: 5 Hex Bolt (1/4 x 1/2) (C03-0250-010)
 - 5 Wrought Washer (5/16) (C02-0312-030)
 - 5 Whiz Flange Nut (1/4) (C01-0250-030)
- 2..... 628720-5.....Shaft Gear & Driven Sprocket (5/8 x 17-3/8)
- 3..... 63861-7.....Bearing, Plastic (5/8 Bore)
- 6..... 09074690-4.....Flangette (For 63861-7 Bearing)
 - Use: 6 Carriage Bolt (1/4 x 5/8) (C04-0250-020)
 - 6 Whiz Flange Nut (1/4) (C01-0250-030)
- 2..... 629066-9.....Mounting Bracket, Shaft Sensor (For Split Shaft)
- 2..... 5508445-24.....Mounting Bracket Sensor
 - Use: 2 Carriage Bolt (5/16 x 3/4) (C04-0375-031)
 - 2 Shake Proof Washer (3/8) (C02-0375-040)
 - 2 Whiz Flange Nut (5/16) (C01-0312-030)
- 2..... 628957-1.....Sensor Shaft w/ Tabs
- 2..... 62851-31.....Shield, Shaft Sensor

2..... 62851-42..... Chain Sprocket, 21-Tooth (5/8 Bore)
Use: 2 Cotter Pin (3/16 x 1-1/4) (C20-0187-030)

2..... 62853-9..... Sprocket, 24-Tooth (5/8 Bore x 1-1/4 Hub)
Use: 2 Cotter Pin (3/16 x 1-1/4) (C20-0187-030)

1..... 628720-6..... Shaft, Electric Clutch (1-inch Round x 41)
Use: 2 SAE Washer (1-inch) (C02-1000-020)

2..... D05-1000-010 Bearing (1-inch)
Use: 4 Hex Bolt (5/16 x 3/4) (C03-0312-030)
4 Lock Washer (5/16) (C02-0312-010)
4 Hex Nut (5/16) (C01-0312-010)

1..... L05-0010-001 Electric Clutch
Use: 1 Hex bolt (3/8 x 1-1/2) (C03-0375-061)
2 Whiz Flange Nut (3/8) (C01-0375-030)

1..... 62853-12..... Electric Clutch w/ 35 Tooth Sprocket
Use: 1 Hex Bolt (3/8 x 1-1/2) (C03-0375-061)
2 Whiz Flange Nut (3/8) (C01-0375-030)

2..... 62853-10..... Chain Sprocket, 32-Tooth (One Bolted to Each Clutch)
Use: 8 Hex Bolt (1/4 x 3/4) (C03-0250-030)
8 Whiz Flange Nut (1/4) (C01-0250-030)

2..... 628720-7..... Bushing (1-1/4 O.D. x 1-1/8 Long)

2..... 2406251 Collar Locking (For 1-inch Shaft)
Use: 2 Sq. Head Set Screw (3/8 x 5/8) (C05-0375-030)

3.08 Ft..... F02-0041-000 Roller Chain #41 (74 Rollers)
Use: 1 Connector Link #41 (F02-0041-001)

1..... 62851-23..... Nylon Roller (Chain Tightener)
Use: 1 Carriage Bolt (3/8 x 2-1/2) (C04-0375-100)
1 SAE Washer (7/16) (C02-0437-020)
2 Wrought Washer (3/8) (C02-0375-030)
1 Lock Washer (3/8) (C02-0375-010)
1 Hex Nut (3/8) (C01-0375-010)
1 Bushing (9/16 x 14ga x 1-5/8) (09065168-11)

1..... 62853-43..... Sprocket, 16 Tooth, 5/8 Bore 1-3/4 Hub
Use: 2 Socket Set Screw (#10-24 x 5/16) (C06-0187-030)

1..... 62853-44..... Sprocket, 16 Tooth, 1/2 Bore x 1-3/8 Hub
Use: 1 Socket Set Screw (1/4 x 1/4) (C06-0250-020)

1..... G06-0060-000 Speed Control (Y41 Zero Max)
Use: 4 Carriage Bolt (3/8 x 1) (C04-0375-040)
4 Lock Washer (3/8) (C02-0375-010)
4 Hex Nut (3/8) (C01-0375-010)

1..... 628721-1..... Air Chamber, 12-Outlet
Use: 2 Hex Bolt (3/8 x 3/4) (C03-0375-030)
1 Hex Bolt (3/8 x 1) (C03-0375-041)
3 Whiz Flange Nut (3/8) (C01-0375-030)

2..... M05-2000-000..... Rubber Plug, 2-inch (air Chamber Cleanouts)

1..... 628721-3..... Angle Support, Air Chamber

12..... M05-0829-300..... Gasket, Mixing Chamber

10..... M10-0055-000..... Mixing Chamber (For 1-inch I.D. Tubing)
Use: 20 Hex Head TC Screw (5/16 x 3/4) (C03-0312-032)

2..... 550829-4..... Blank Plate, Air Chamber
Use: 4 Hex Head TC Screw (5/16 x 3/4) (C03-0312-032)

- 1 5508242-33 Gasket, Potting Box
- 1 629066-D Air Pressure Switch Wire Assembly**
 Use: 2 Pan Head TC Screw (#8 x 1/2) (C07-0164-070)
- 1 L10-0016-010 Potting Box
 Use: 2 Phillips Pan Head TC Screw (#8 x 1/2) (C07-0164-070)
- 1 M05-3000-000 Rubber Plug (3-inch) (For Hopper Clean Out)
- 1 628720-18 Clean-Out Chute, 4-inch
 Use: 1 Wing Nut (5/16) (C01-0312-020)
 1 Wrought Washer (5/16) (C02-0312-030)
 1 Decal, Caution Plug (N02-0062-051)
- 1 62852-9 Angle Clamp, Tubing
 Use: 3 Foam Clamp Strip 9-1/2 Long (62851-16)
- 1 5408326 Bar Clamp, Plastic Tubing
 Use: 3 Foam Clamp Strip 9-1/2 Long (62851-16)
 4 Hex Bolt (5/16 x 2-1/4) (C03-0312-091)
 4 Lock Nut, Nylon (5/16) (C01-0312-040)

- 2 5508442-35 Magnetic Hub (**One on Each End of Metering Door Shafts**)
 Use: 2 Spring Pin (3/16 x 1) (C23-0187-140)

- 1 628720-C Metering Wheel Assembly, 10 Outlet (Black Chemical Wheels)**
 - 1 628720-2 Mounting Plate, (10 Outlets) (For Divided Hopper)
 Use: 2 J-Bolt (C16-0312-020)
 2 Wrought Washer (5/16) (C02-0312-030)
 2 Wing Nut (5/16) (C01-0312-020)
 - 3.17 FT... M05-0125-050 Rubber Strip with Adhesive (1/8 x 1/2)
 - 10 M10-0001-100 Metering Cup (1-1/4)
 Use: 24 Whiz Flange Nut (3/16) (C01-0187-030)
 - 10 62851-76 Hole Closure, Slotted
 Use: 20 Extruded Washer (628720-20)
 10 Hex Bolt (5/16 x 1-3/4) (C03-0312-071)(Stainless)
 10 Comp. Spring (E00-0420-012)
 - 1 628720-3 Hex Shaft (5/8 x 14-13/16)
 - 1 628720-4 Hex Shaft (5/8 x 16-15/16)
 - 3 63861-7 Bearing, Plastic (5/8 Bore)
 - 6 09074690-4 Flangette (For Bearing 63861-7)
 Use: 6 Hex Bolt (1/4 x 1/2) (C03-0250-013) (Stainless)
 6 Lock Washer (1/4) (C01-0250-012) (Stainless)
 - 10 62851-75 Metering Wheels, Chemical, Black
 - 20 62851-72 Wear Plates (Stainless)
 - 2 62851-41 Sprocket, 21-Tooth (5/8 Bore)
 Use: 2 Cotter Pin (3/16 x 1-1/4) (C20-0187-030)

- 1..... 62167-P8.....Blower Assembly, Horizontal Discharge, 8 GPM Hydraulic Motor**
- 1 B56-08636-1.....Front Housing, Blower (Plastic)
 - Use: 14 Hex Bolt (1/4 x 3/4) (C03-0250-30)
 - 28 SAE Washer (1/4) (C02-0250-020)
 - 14 Lock Nut, Nylon (1/4) (C01-0250-040)
- 1 B56-08636-2.....Back Housing, Blower (Plastic)
- 1 5608636-4.....Back-Up Plate
 - Use: 4 Carriage Bolt (3/8 x 1-1/4) (C04-0375-051)
 - 4 Lock Nut, Nylon (3/8) (C01-0375-041)
- 1 62167-2.....Mount, Blower (Plastic w/Coupler)
 - Use: 1 Decal, Warning Rotating Parts (N02-0055-010)
 - 1 Decal, Important Hydraulic Motor (N02-0062-043)
 - 1 Decal, Black on Yellow (N02-0062-050)
 - 4 Hex Bolt (3/8 x 1-1/2) (C03-0375-061)
 - 8 Wrought Washer (3/8) (C02-0375-030)
 - 4 Lock Washer (3/8) (C02-0375-010)
 - 4 Hex Nut (3/8) (C01-0375-010)
- 1 L01-0034-004.....Fan, Impeller
 - Use: 1 Bushing (1-inch JA Bore) (L01-0033-002)
- 1 5408320-25.....Key, Fan Shaft (1/4 x 1)
- 1 62167-3.....Shaft (6 Inch Long)
- 1 28122-49.....Key, for Coupler (3/16 sq. x 1)
- 1 K18-M024-000.....Coupler (9/16 x 7/8)
 - Replacement Parts(K18-M024-003 Black Plastic Coupler Sleeve) (5508230-5 1/8 x1 Key)
 - (K18-M024-004 Coupler for 9/16 Shaft on Hyd Motor)
 - (K18-M024-005 Coupler for 7/8 Shaft on End of Fan Shaft)
- 1 K01-0045-003Hydraulic Motor, 8-GPM Casappa
 - Use: 2 Carriage Bolt (3/8 x 1-1/4) (C04-0375-051)
 - 2 Washer, Motor Side, Stainless (62164-2)
 - 2 Lock Nut, Nylon (3/8) (C01-0375-041)
- 2 D05-1000-030Bearing & Locking Collar (For 1-inch Shaft)
- 4 D10-1000-011Flangette, Round
 - Use: 6 Carriage Bolt (5/16 x 1) (C04-0312-040)
 - 6 Lock Washer (5/16) (C02-0312-010)
 - 6 Hex Nut (5/16) (C01-0312-010)
- 1 5608231-3.....Screen, Blower
 - Use: 3 Pan Head Sheet Screw (#10 x 3/4) (C07-0187-090)
- 1 5508336-7.....Guard, Blower Shaft
 - Use: 2 Thumb Screw (5/16 x 3/4) (C09-0312-100)
- 2 K02-0500-120Hydraulic Hose, 1/2 x 120"
- 2 K02-0500-014Hydraulic Hose, 1/2 x 14" w/ O-Ring Fitting On One End
- 1 K02-0375-024Hydraulic Hose, 3/8 x 24" (Case Drain)
- 1 L04-0005-000.....Cable Tie (5/16 x 15-1/4)
- 1 L04-0000-000.....Tag, Important, Caution
- 1 62113.....Hydraulic By-Pass Block Assembly w/Check Valve**
 - 1 K05-CV10-200.....Check Valve
 - 1 6296-1.....Hydraulic By-Pass Block

The Following Parts Are Inside Hopper:

- 1..... Packet Containing..... Parts & Packing List, Operator’s Manual, Rate Chart & Ag Warranty
- 1..... 0197102-1..... Manual Bracket Holder
- 2..... L04-0005-000..... Cable Tie (5/16 x 15-1/4)
- 1..... M10-0005-004..... Manual Holder

1..... 6212-D..... Air Pressure Gauge Carton

- 1..... 62851-46..... Mounting Bracket, Air Pressure Gauge
- 1..... K17-P734-004..... Air Pressure Gauge 4-inch
- 2..... K04-0250-375..... Adaptor, Plastic, 1/4 MPT x 3/8 HB
- 4 Ft..... M06-0375-000..... Tubing, 3/8 I.D. x 1/8 Wall
- 1..... C03-0312-020..... Hex Bolt (5/16 x 5/8)
- 1..... C01-0312-030..... Whiz Flange Nut (5/16)

1..... 6210-A..... Parts Carton Containing:

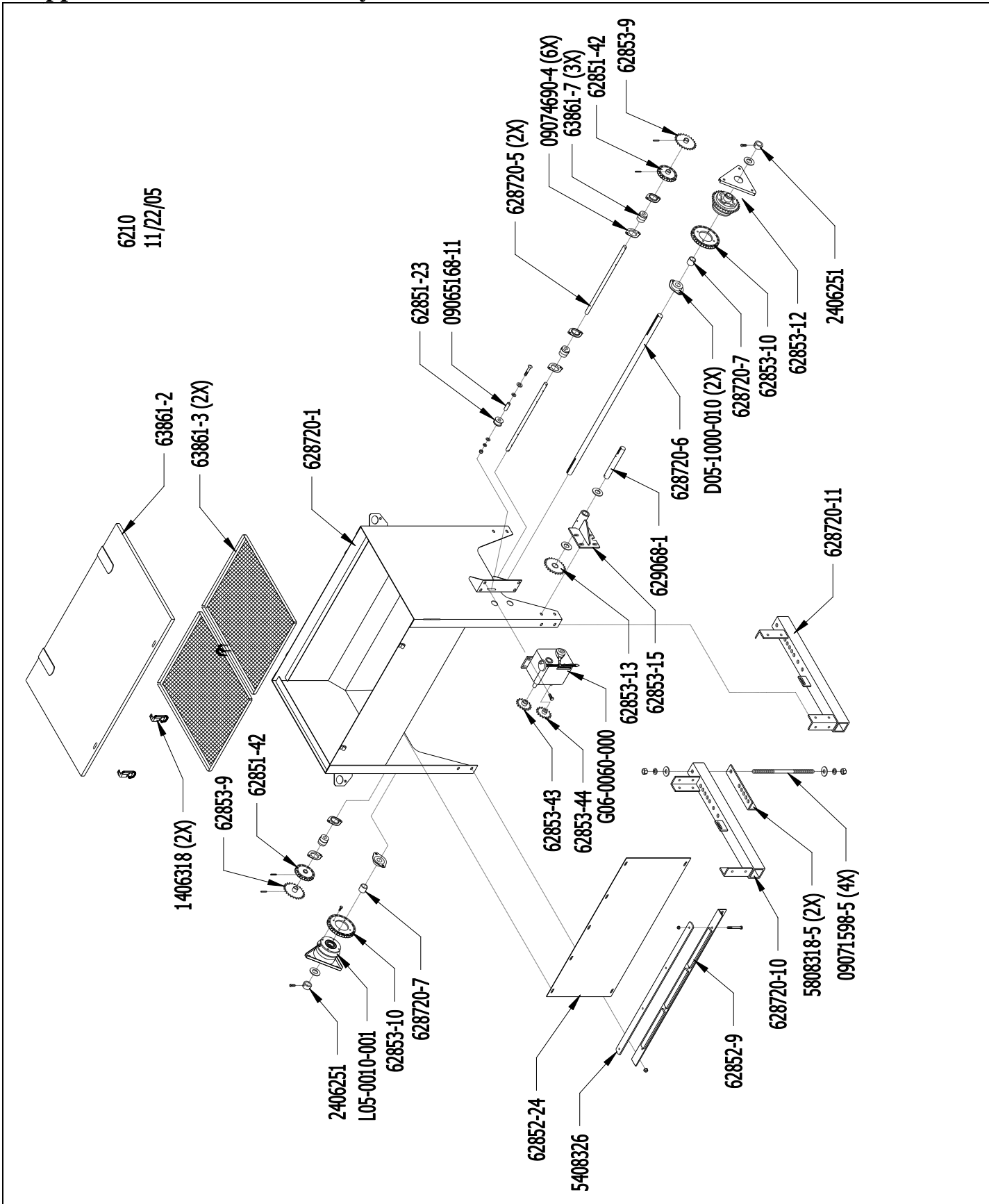
1..... 629066-C..... Enclosed Console Assembly, 3 Light, 3 Switch

- 1..... 5508338-23..... Enclosed Console, Front
- 1..... 5508338-24..... Enclosed Console, Back
 - Use: 2 Hex Bolt (1/4 x 3/4)(C03-0250-030) (in Place)
 - 2 Whiz Flange Nut (1/4)(C01-0250-030) (in Place)
 - 4 PH Sheet Metal Screw (#10-16 x 5/16) (C07-0187-040)
- 3..... M05-2858-000..... Rubber Grommet, (3/8)
- 1..... L05-0008-000..... Amber Light
- 2..... L05-0008-020..... Green Light
- 3..... L05-0001-050..... Toggle Switch, On/Off
- 1..... C07-0164-051..... Phillips Head Screw (#8-32 x 3/8)
- 1..... C01-0164-040..... Kep Nut (#8/32)
- 1..... 5508338-7..... Jumper Wire, Toggle Switch
- 1..... 629066-13..... Molded Connector, Female, 8-inch With Terminal w/ Terminal
- 1..... 5508338-10..... Molded Connector, Female, 8-inch With Terminal on White Wire
- 1..... 62853-47..... Power & Ground Wire, 10 ga. x 12’
- 3..... L03-0005-000..... Wire Connector, Blue
- 4..... L03-0003-070..... Molded Connector, 4 Contact, M & F, 144” Wire
- 1..... 629066-12..... Molded Connector, Electric Clutches
- 24 FT..... L05-0011-062..... Flex Guard Loom (2 – 12 Foot Pcs.)
- 2..... 550829-4..... Blank Plate, Air Chamber
- 2..... 62852-20..... Blank Plate, Metering Door
- 2..... 5808318-5..... Angle Clamp
- 4..... 09071598-5..... Stud Bolt
 - Use: 8 Lock Washer (5/8) (C02-0625-010) (in hardware bag)
 - 8 Wrought Washer (5/8) (C02-0625-030) (in hardware bag)
 - 8 Hex Nut (5/8) (C01-0625-010) (in hardware bag)
- 2.04 Ft... F02-0041-000..... Roller Chain #41 (48 Rollers)
- 1..... F02-0041-001..... Connector Link #41
- 1..... F02-0041-002..... Offset Link #41
- 1..... 62853-15..... Housing Drive Shaft (Assembled)
 - Use: 1 Grease Fitting (D01-5010-050)
- 1..... 628720-8..... Drive Shaft. Speed Control
 - Use: 2 SAE Washer (1-inch) (C02-1000-020)
 - 1 Cotter Pin (3/16 x 1-1/4) (C20-0187-030)
- 1..... 62853-13..... Sprocket 24 Tooth (1 Inch Bore x 1-1/2)
 - Use: 1 Cotter Pin (3/16 x 1-1/4) (C20-0187-030)

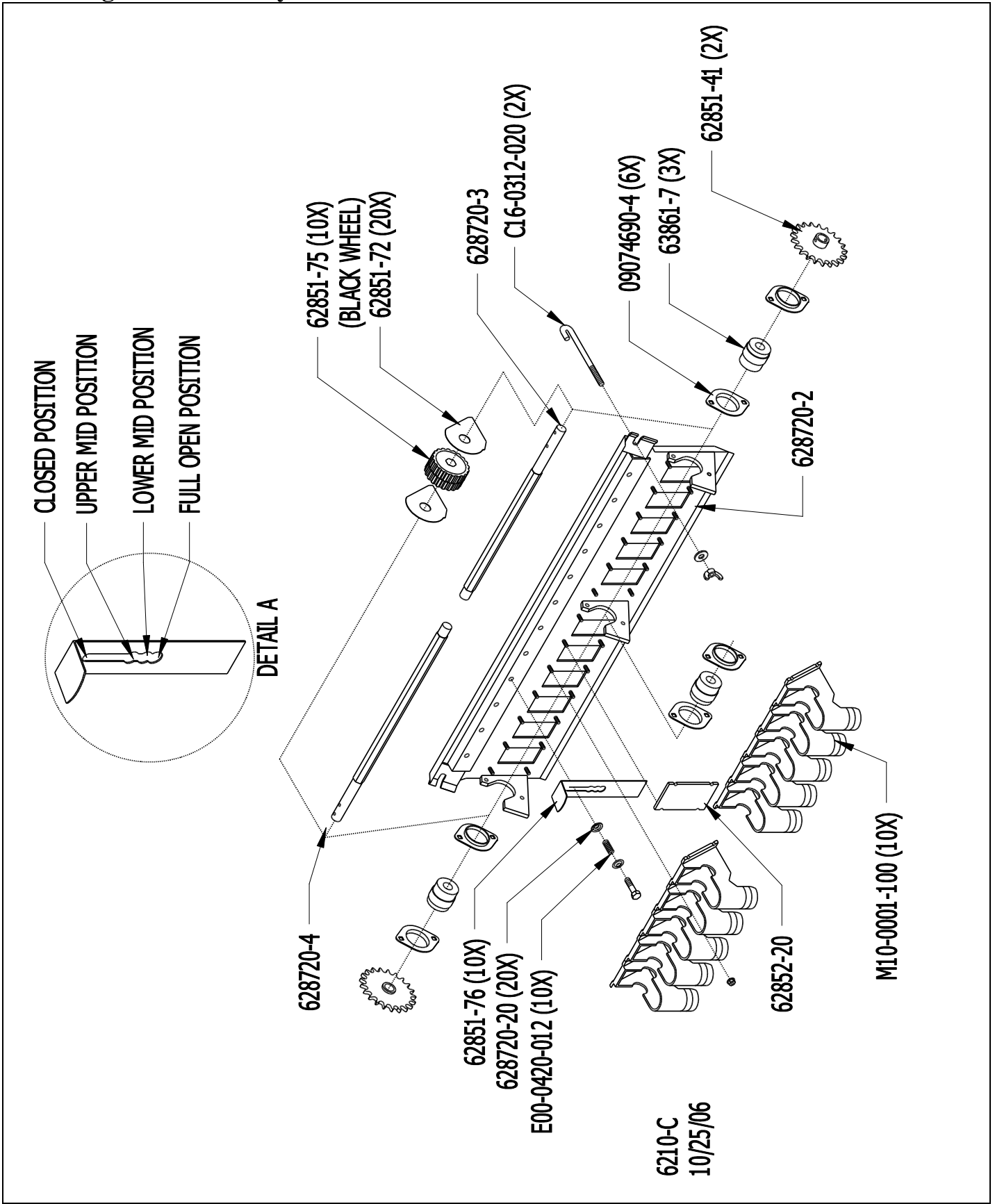
Continued on next page...

- 1 **6212-H** **Hardware Bag Containing: (In Parts Carton)**
- 8..... C01-0625-010.....Hex Nut (5/8)
- 8..... C02-0625-010.....Lock Washer (5/8)

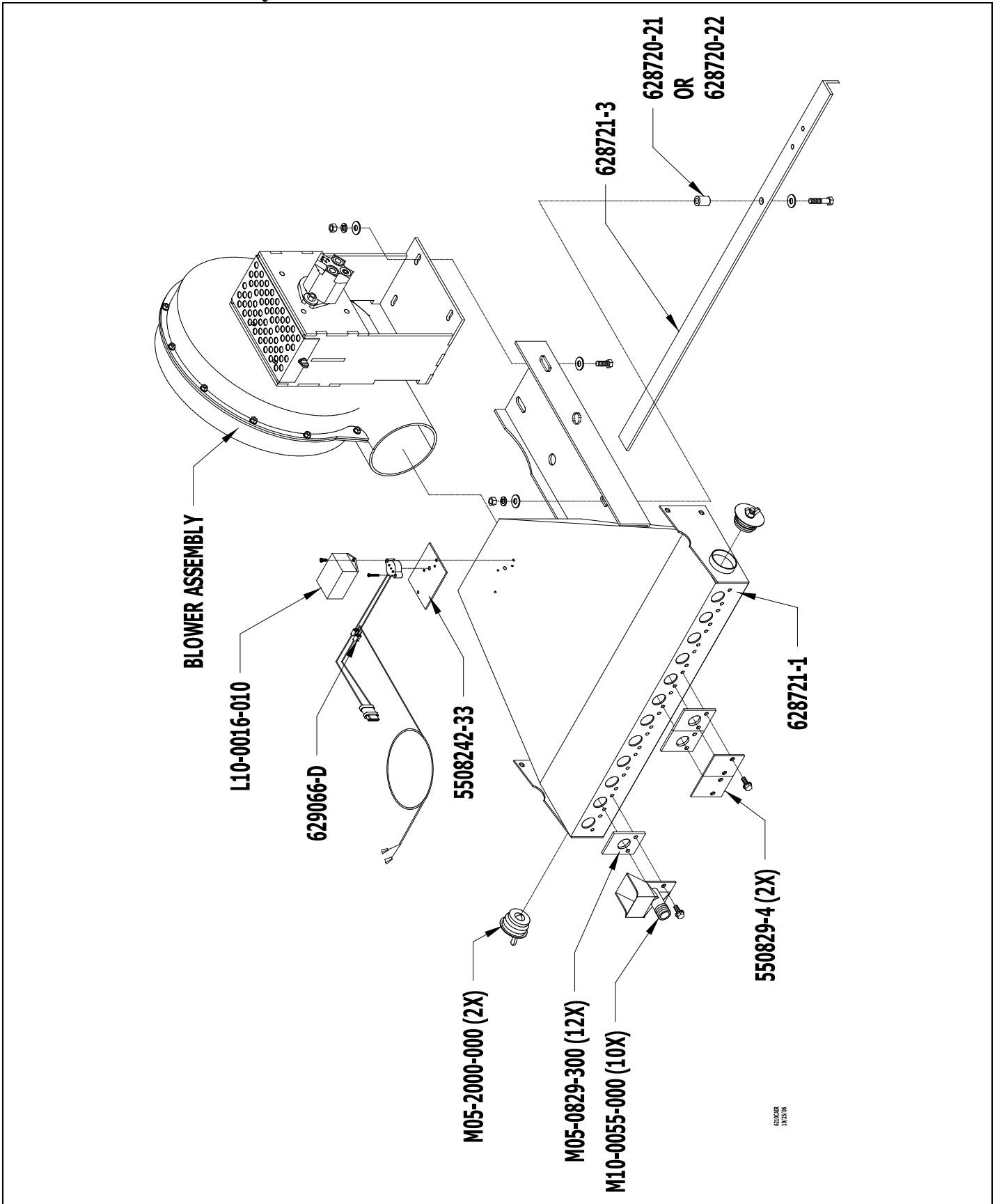
Hopper & Drive Shaft Assembly



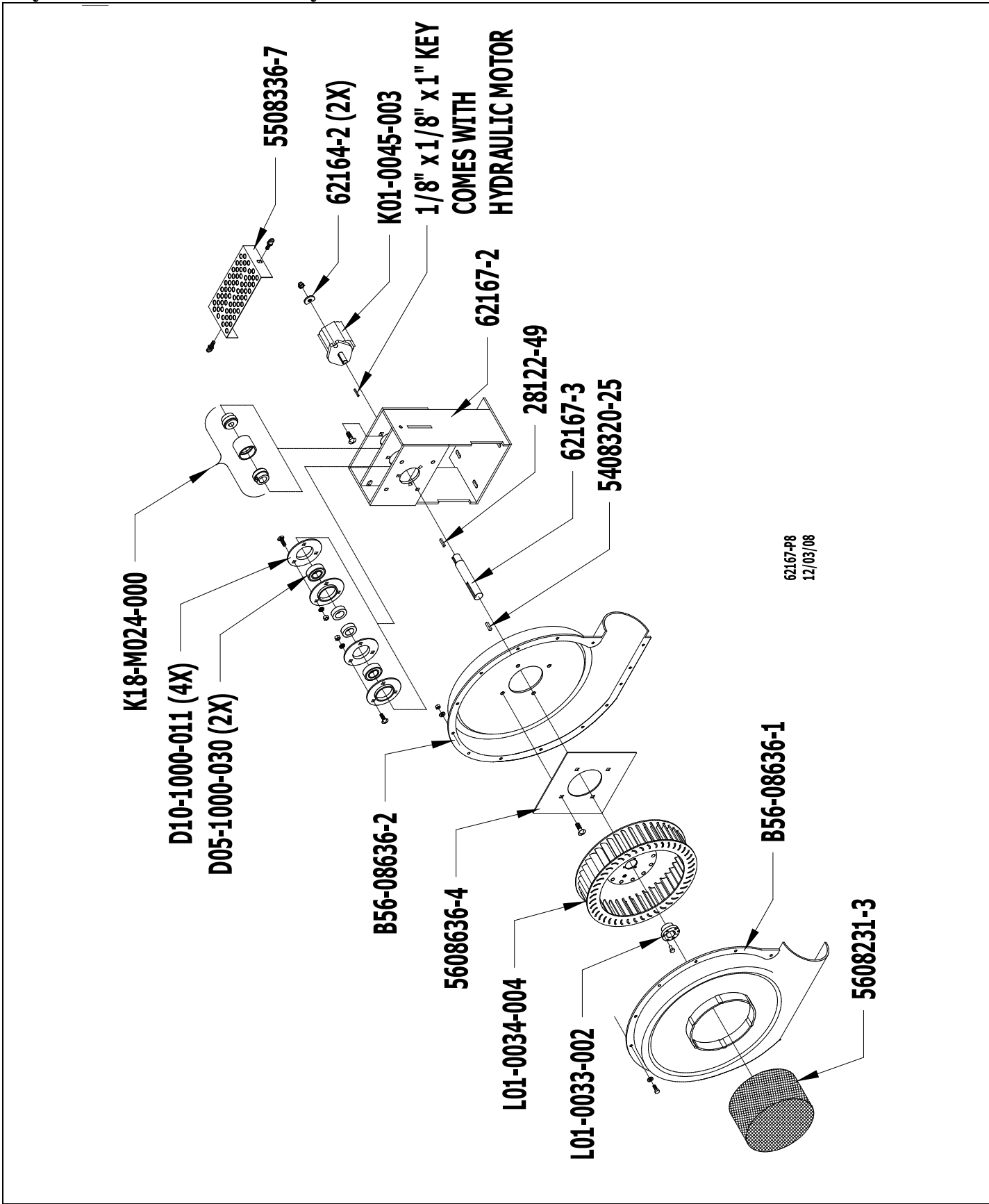
Metering Door Assembly



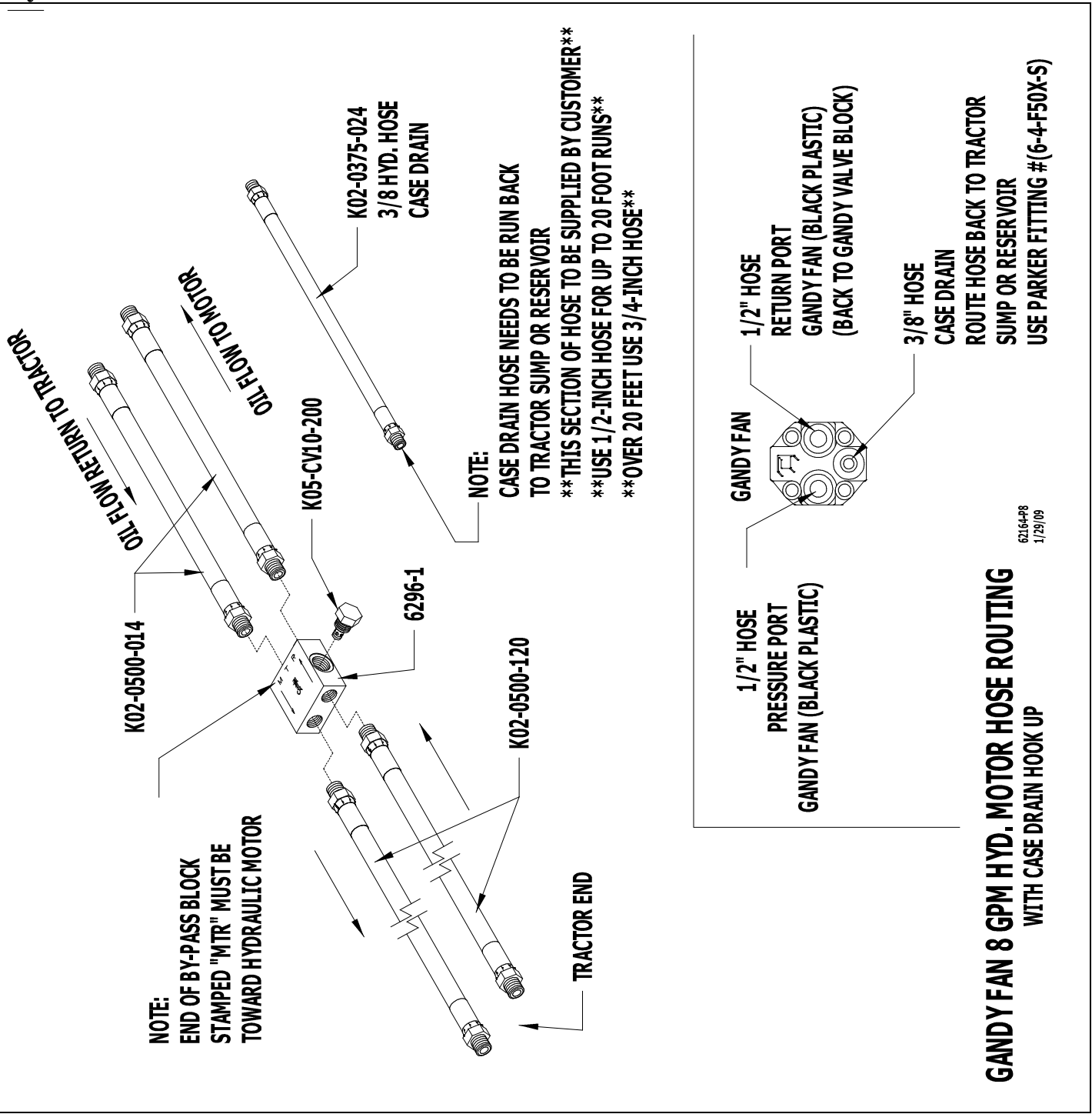
Air Chamber Assembly



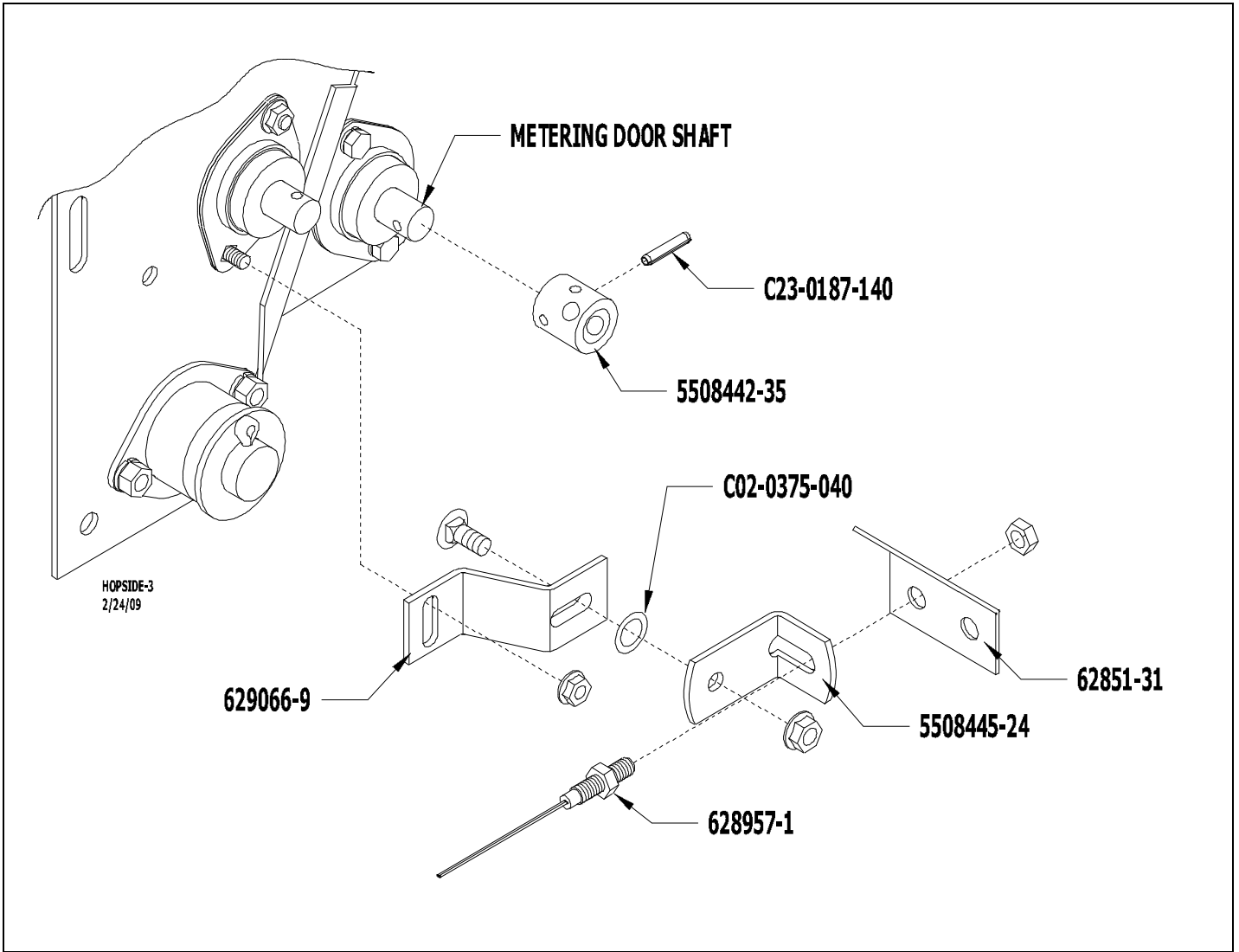
Hydraulic Blower Assembly

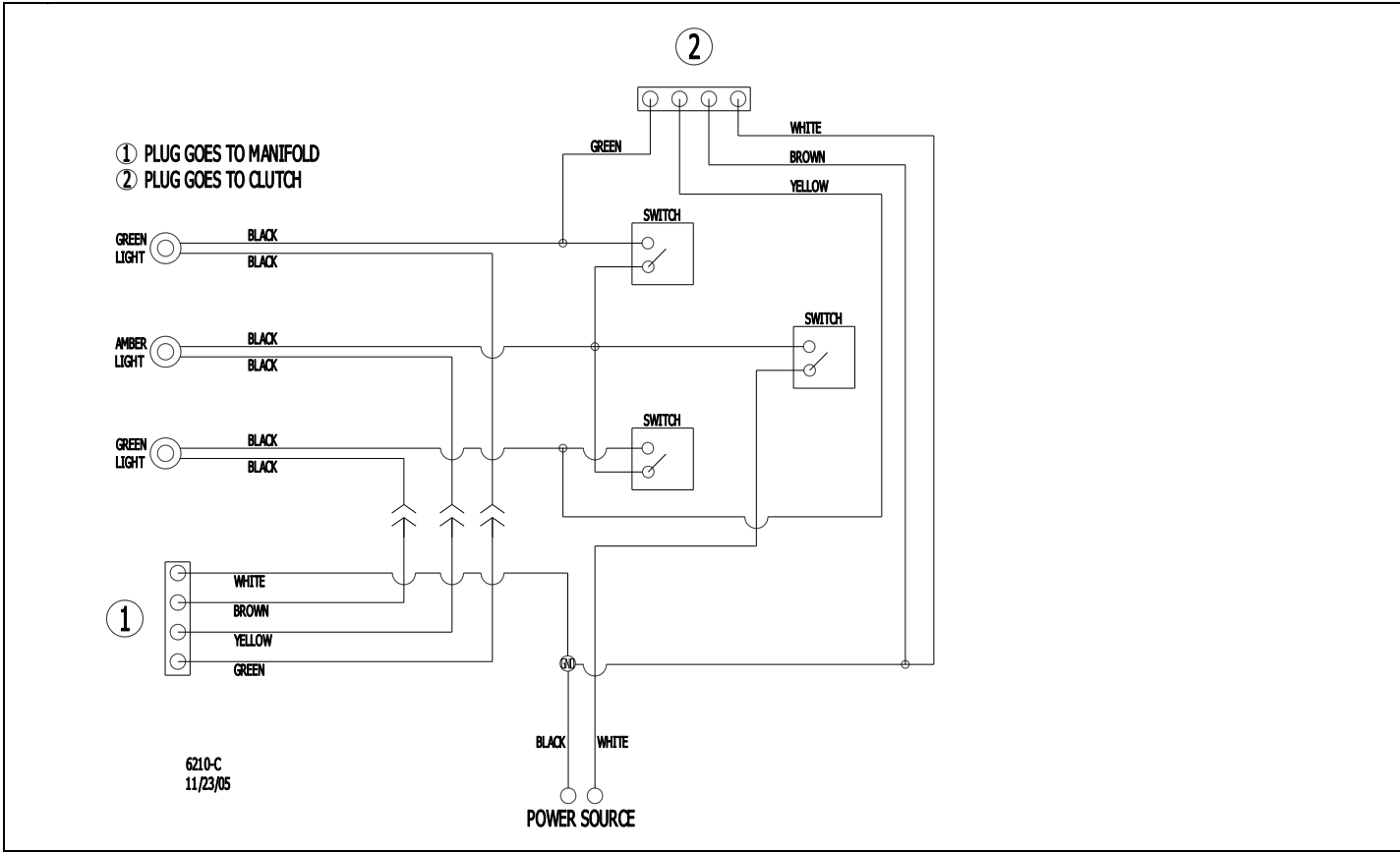
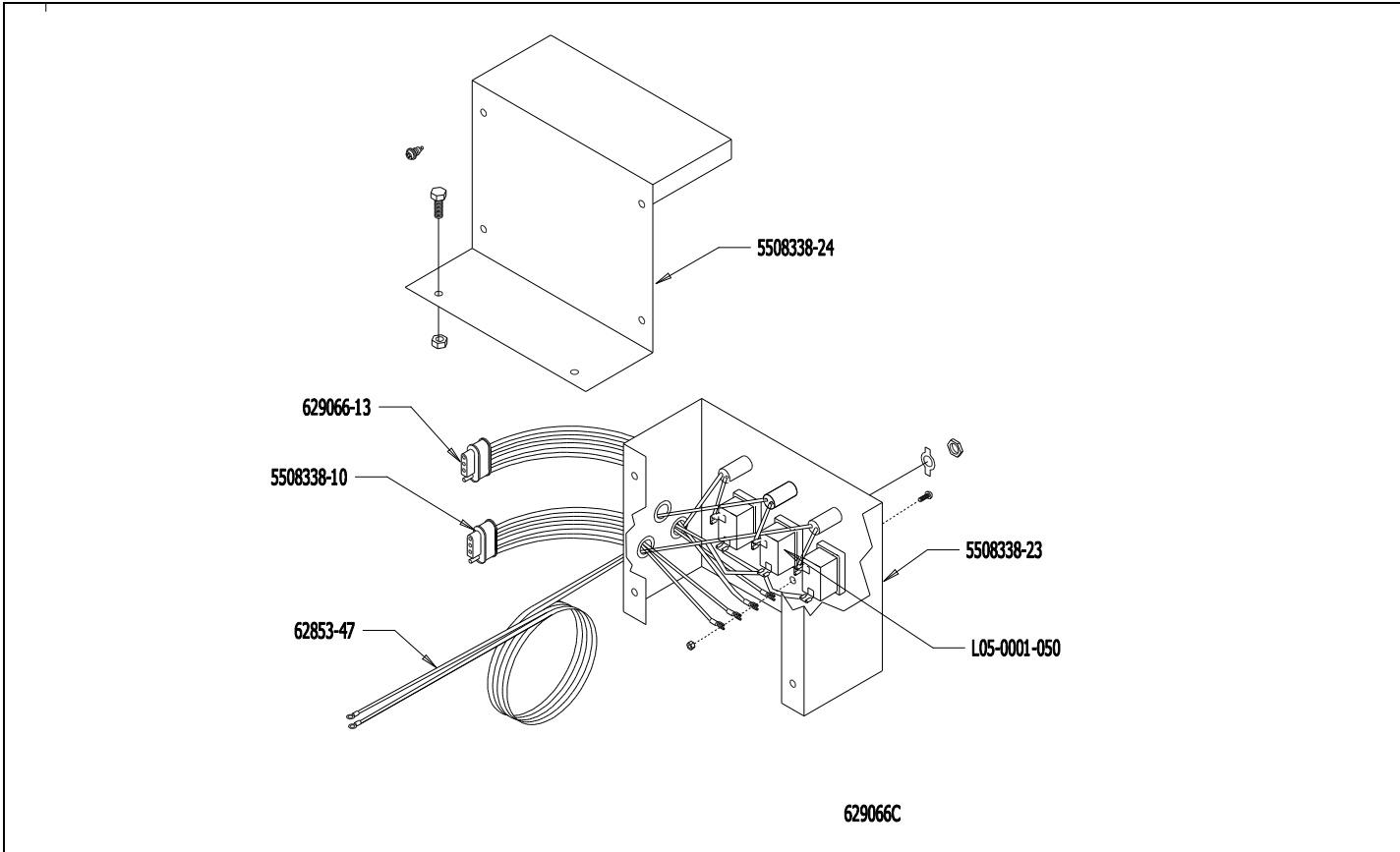


Hydraulic Hose Connections



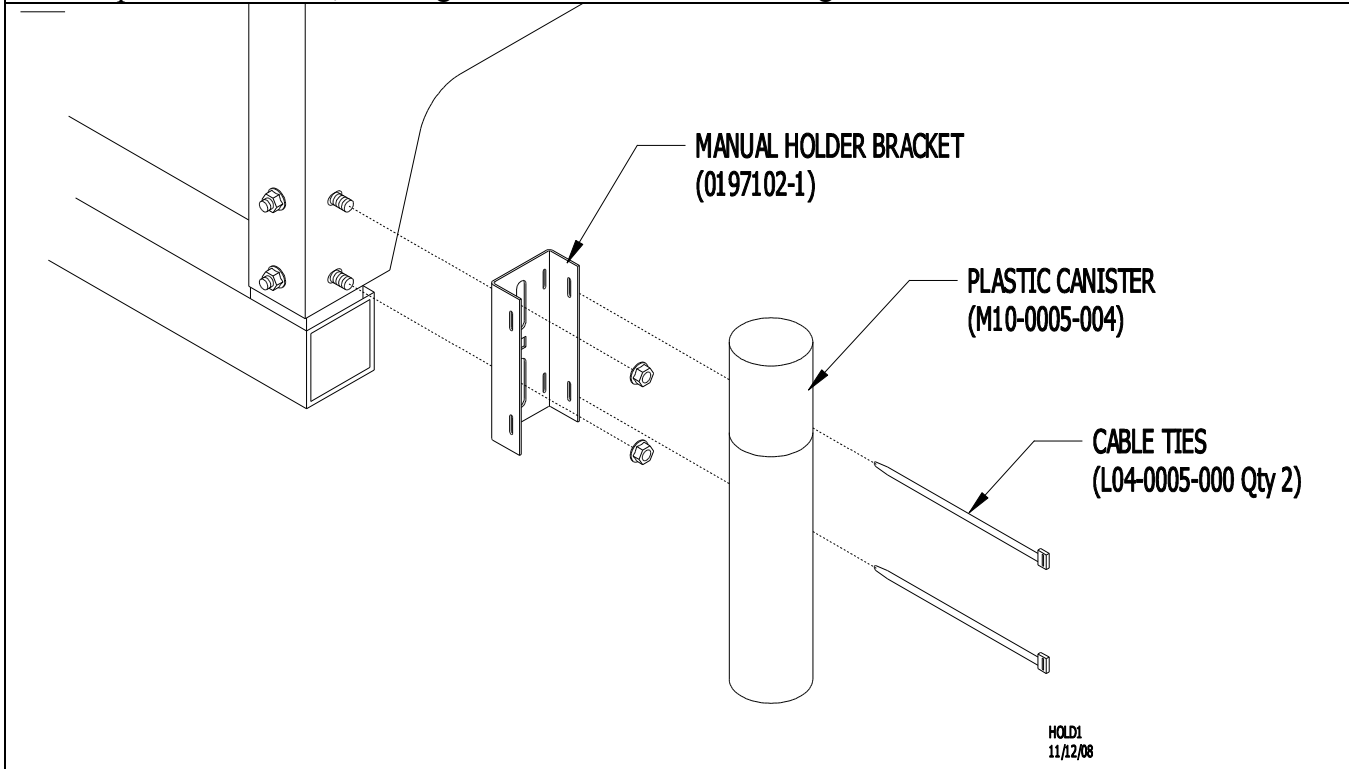
Shaft Sensor





Manual Holder Bracket

Mount manual holder to corner of hopper or convergent location on implement.
Store Operator's manual, Packing List & Rate Chart of convergent access.



Maintenance

Check all bolts for tightness after first two hours of use; check periodically thereafter.

Grease all fittings regularly.

There are **three** grease fittings on this hopper. These **must** be greased before use and periodically during use.
Locations: See page 7 for locations.

One grease fitting on each 1-inch bearing (D05-1000-010) (two) located on the 1-inch drive shaft (628720-6).

One grease fitting on drive shaft housing (62853-15) located under Speed control (G06-0060-000).

Lucubrate chains as needed.

Periodically clean intake screen on hydraulic driven blower.

GDY-6210C-PPL

Drawings: 6210, 6210-C, 6210CAIR, 62167-P8, 62164-P8, 6216BRK-2, 629066C, 6210-C HOLD1

January 2, 2014

Revised From (2/22/12)

Printed in the USA