



# Illustrated Parts & Packing List

815 Rice Lake Street, Owatonna, MN 55060

Phone: 800-443-2476 / 507-451-5430

www.gandy.net / Email: custsrv@gandy.net

## 405L

### 5-Foot Linear Implement Mounted Applicator

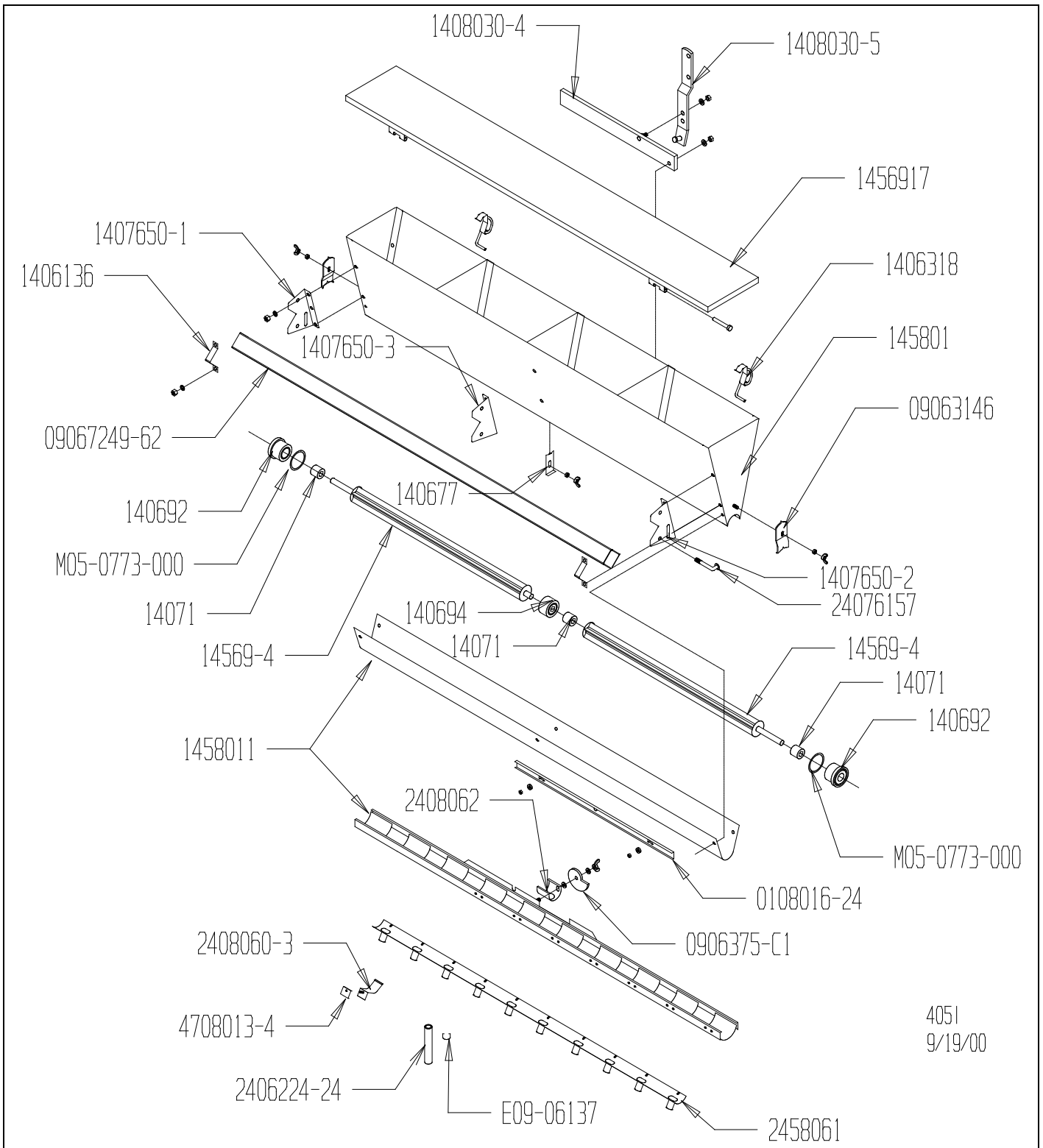
(All Hardware in Place Unless Otherwise Specified)

1	145801	Hopper, 5 Foot Linear
		Use: 1 Decal, Linear Hopper (N02-0001-103)
1	1456917	Cover, 5-foot Linear Hopper
		Use: 1 Decal, Caution (N02-0014-010)
		1 Decal, Important (N02-0014-020)
		2 Clevis Pin (1/4 x 2-5/8) (C22-0250-200)
		2 Cotter Pin (9/32 x 3/4) (C20-0093-020)
2	1406318	Cover Lock
		Use: 2 Cotter Pin (9/32 x 3/4) (C20-0093-020)
2	140692	Bearing, End
2	M05-0773-000	Gasket, End Bearing (Linear Hopper)
2	09063146	Retainer, End Bearing
		Use: 2 SAE Washer (5/16) (C02-0312-020)
		2 Wing Nut (5/16) (C01-0312-020)
1	140694	Bearing, Center
1	140677	Retainer, Center Bearing
		Use: 1 SAE Washer (5/16) (C 02-0312-020)
		1 Wing Nut (5/16) (C01-0312-020)
3	14071	Journal, Rotor Bar (5/8 Hex)
		Use: 3 Spring Pin (3/16 x 1) (C23-0187-140)
2	14569-4	Rotor Bar, Rubber, End
1	1458011	Bottom & Slide Assembly, 5-Foot, 10-Openings
		Use: 2 Rear Hanger (0108016-24)
		4 Nylon Grip Washer (1/4) (C02-0250-011)
		4 Whiz Flange Nut (3/16) (C01-0187-030)
		2 Screw, Sheet Metal (#10-16 x 5/16) (C07-0187-040)
		1 Cam Gauge, Double (0906375-C1)
		2 SAE Washer (5/16) (C02-0312-020)
		1 Wing Nut (5/16) (C01-0312-020)
		6 HHTC (5/16 x 1/2) (C03-0312-011)
10	E09-06137	Spring Clip (For Fastening Drop Tubes to Spouts) In Place on Spouts
1	2458061	Spout Plate w/Straight Spouts (For 5-Foot Hopper)
		Use: 10 Spout, Straight (0908012-6)
		20 Rivet (C17-0312-020)
1	2408062	Positioning Clip, Spout Plate (For Linear Hoppers)
3	2408060-3	Retaining Clip, Spout Plate
		Use: 3 Clamp, Retaining Clip (4708013-4)
		3 Whiz Flange Nut (3/16) (C01-0187-030)

- 1..... 1408030-4.....Mounting Bracket, For Shut-off Lever  
 Use: 2 Hex Bolt (3/8 x 1) (C03-0375-041)  
       2 Lock washer (3/8) (C02-0375-010)  
       2 Hex Nut (3/8) (C01-0375-010)
- 1..... 1408030-5.....Shut-off Lever  
 Use: 1 SAE Washer (1/2) (C02-0500-020)  
       1 Lock Nut, Center Point (1/2) (C01-0500-040)
  
- 1..... 09067249-62.....Mounting Rail, Tool Bar 5-foot (62-inch Long)
- 1..... 1407650-1.....Bracket, Left Mount (For Mounting Rail)  
 Use: 2 Hex Bolt (3/8 x 1) (C03-0375-041)  
       2 Lock Washer (3/8) (C02-0375-010)  
       2 Hex Nut (3/8) (C01-0375-010)
- 1..... 1407650-2.....Bracket, Right Mount (For Mounting Rail)  
 Use: 2 Hex Bolt (3/8 x 1) (C03-0375-041)  
       2 Lock Washer (3/8) (C02-0375-010)  
       2 Hex Nut (3/8) (C01-0375-010)
- 1..... 1407650-3.....Bracket, Center Mount (For Mounting Rail)  
 Use: 2 Hex Bolt (3/8 x 1) (C03-0375-041)  
       2 Lock Washer (3/8) (C02-0375-010)  
       2 Hex Nut (3/8) (C01-0375-010)
- 3..... 1406136.....Clamp, Hopper Mounting Rail
- 6..... 24076157.....L-Bolt (3/8 x 3-1/4)  
 Use: 6 Lock Washer (3/8) (C02-0375-010)  
       6 Hex Nut (3/8) (C01-0375-010)

**The following packaged & shipped inside hopper.**

- 10..... 2406224-24.....Drop Tube, 24-inch Long (3/4 I.D. x 1 O.D.)



4051  
9/19/00

GDY-405L-PPL  
 Drawing: 405L  
 March 5, 2012  
 Revised From (11/10/09)  
 Printed in the USA