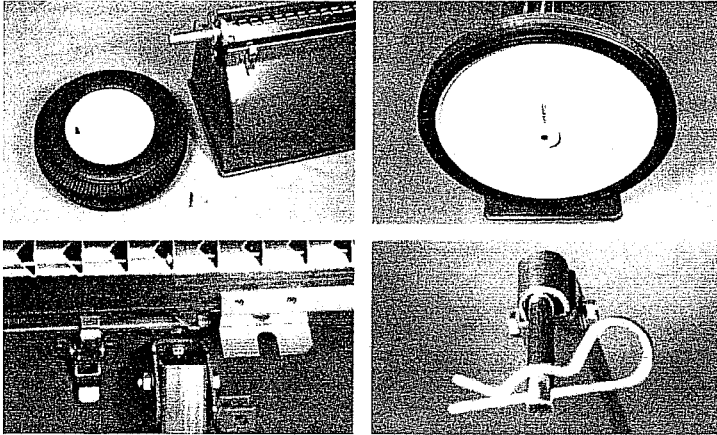
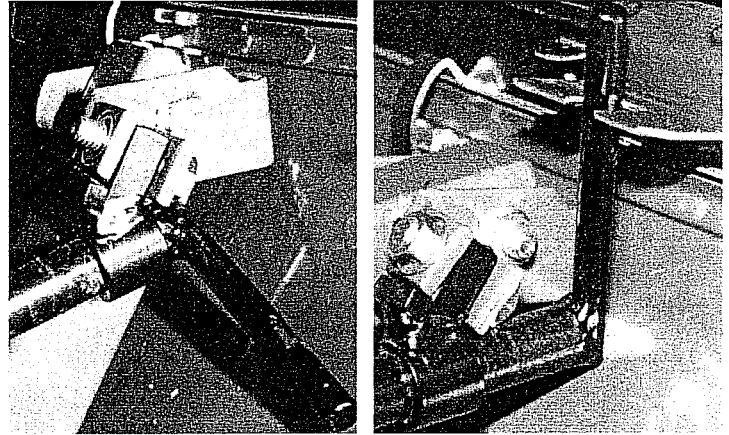


ASSEMBLY INSTRUCTIONS FOR TURF TENDER WITH *VARIABLE-RATE* BOTTOM HITCH ASSEMBLY



1. INSTALL WHEELS, HITCH AND POLE

Remove contents from cartons. If installing 16-inch pneumatic tires, place adaptor (28427155-6) on rotor bar shaft and secure with spring pin. Slip wheel over adaptor and secure with clevis pin and hair pin cotter. If installing 20-inch or 26-inch semi-pneumatic tires, slip wheel over rotor shaft and secure with cotter pin. Remove 5/16 nut from center bearing bolt located on the cam gauge side of hopper. Install pole clevis (2899-7) to hopper on center bearing bolt and secure with 5/16 nut. Remove 5/16 bolts from hitch pin (2806916). Place hitch pin, opposite end from notch, in hitch pole (2806915) and secure with 5/16 bolts. Place pole in pole clevis so that the hitch pin will be down when spreader is in operating position. Secure pole to clevis using 5/16 x 2 bolt and nut.



2. INSTALL SHUT-OFF LEVER (lower end)

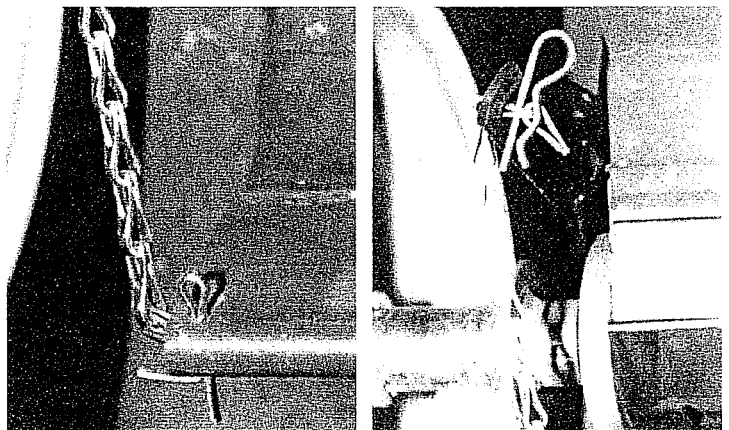
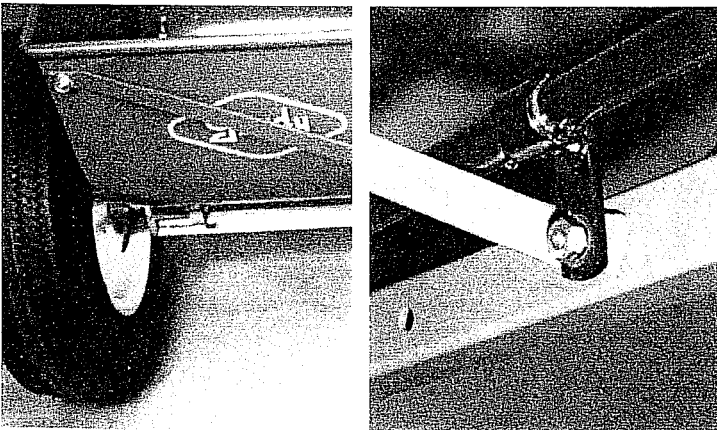
Place tab on lower collar of shut-off lever (2899-5) in "U" bracket on side of pole clevis. Turn shut-off lever so pin on lower end points to side and insert 5/16 x 1-1/4 bolt from hopper side through "U" bracket, tab, "U" bracket and secure with nut. Turn shut-off lever so pin fits into notch of slide.

3. INSTALL SHUT-OFF LEVER AND BRACES TO POLE

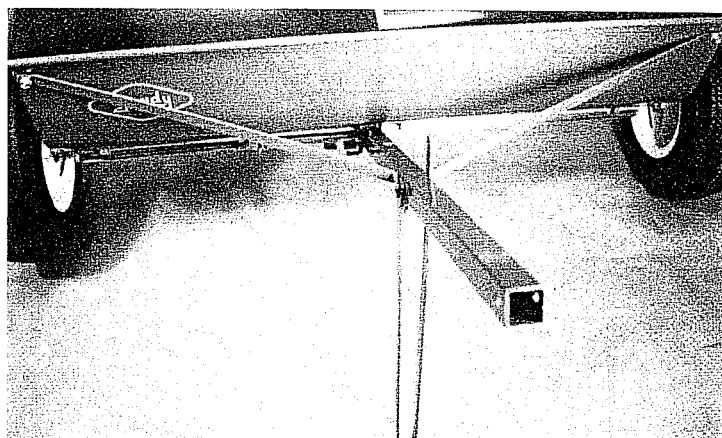
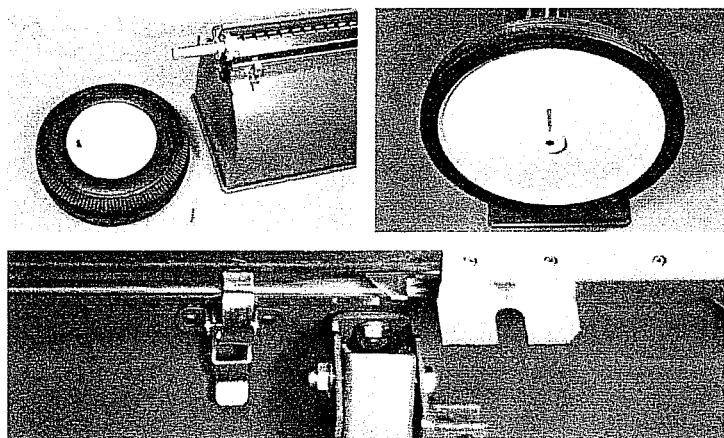
Insert 5/16 x 5/8 bolt through hole in upper end of right brace (28427117-2) and place through hole in hopper. Leave nut loose. Repeat for left brace (28427117-1). Secure shut-off lever and braces to pole placing 5/16 x 2-1/4 bolt through tab on shut-off, right brace, pole, left brace and secure with nut. Tighten all nuts. Place yellow grip on end of shut-off lever.

4. INSTALL SASH CHAIN FOR SPREAD PLATE

Place sash chain into rolled end of spread plate and secure by placing 3/32 x 3/4 cotter pin through spread plate, chain and spread plate. Place upper end of sash chain from the tire side through hole in bearing retainer tab and secure with hair pin cotter.



ASSEMBLY INSTRUCTIONS FOR TURF TENDER WITH *VARIABLE-RATE* BOTTOM HANDLE ASSEMBLY



1. INSTALL WHEELS AND HANDLE POLE

Remove contents from cartons. If installing 16-inch pneumatic tires, place adaptor (28427155-6) on rotor bar shaft and secure with spring pin. Slip wheel over adaptor and secure with clevis pin and hair pin cotter. If installing 20-inch or 26-inch semi-pneumatic tires, slip wheel over rotor shaft and secure with cotter pin. Remove 5/16 nut from center bearing bolt located on the cam gauge side of hopper. Install pole clevis (2899-7) to hopper on center bearing bolt and secure with 5/16 nut. Place handle pole with notched end in pole clevis with notch up. Secure pole to clevis using 5/16 x 2 bolt and secure with nut.

3. INSTALL "T" HANDLE, SHUT-OFF PIVOT ARM & SHUT-OFF LEVER

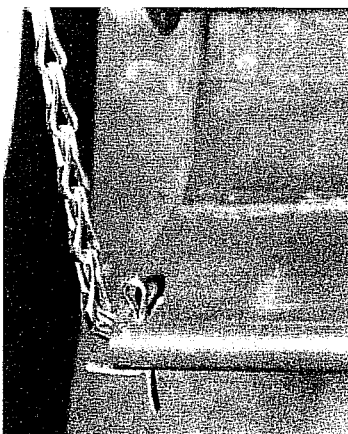
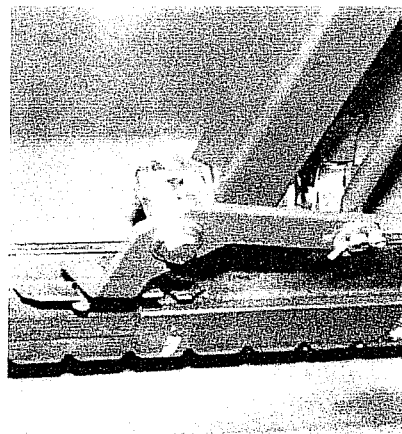
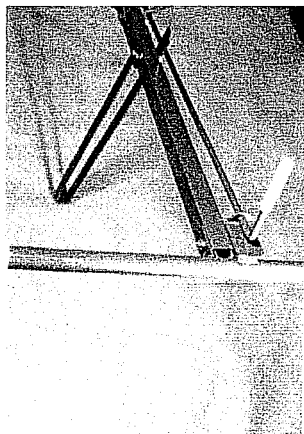
Remove 5/16 x 5/8 bolts from "T" handle. Install "T" handle with tab up to pole using 5/16 x 5/8 bolts. Place yellow grips on handle. Place pin on shut-off pivot arm (2899-3) into slot on slide. Attach shut-off pivot arm to bottom of pole clevis placing 5/16 x 1-3/4 hex bolt through washer, shut-off pivot arm, washer, pole clevis, bushing, pole clevis and secure with lock nut. Thread shut-off lever (2899-4) through tab on handle and secure to shut-off pivot arm using 3/8 washer and 3/32 x 3/4 cotter pin. Place yellow grip on handle end of shut-off lever.

2. INSTALL BRACES AND STAND

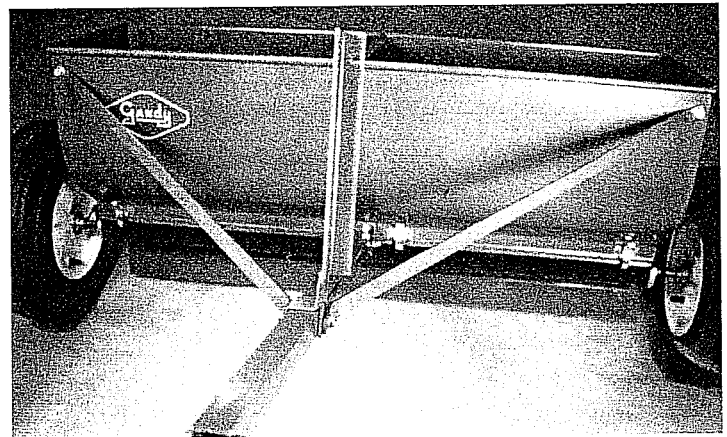
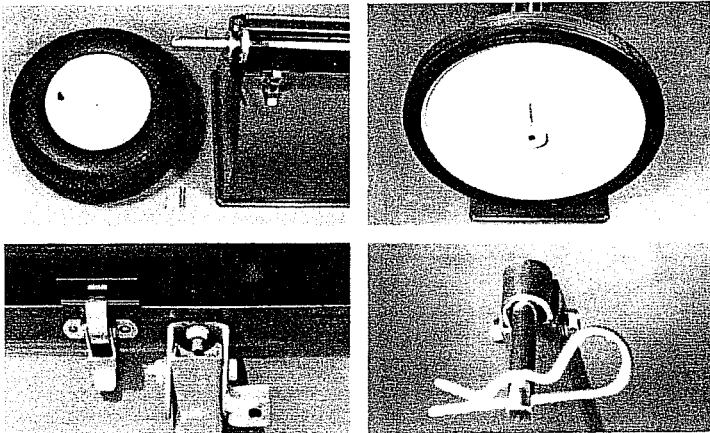
Insert 5/16 x 5/8 bolt through hole in upper end of right brace (28427125-2) and place through hole in hopper. Leave nut loose. Repeat for left side brace (28427125-1). Secure braces and stand to pole using 5/16 x 2-1/4 bolt inserting through right brace, stand, top middle hole in handle pole, stand and left brace. Secure with nut.

4. INSTALL SASH CHAIN FOR SPREAD PLATE

Place sash chain into rolled end of spread plate and secure by placing 3/32 x 3/4 cotter pin through spread plate, chain and spread plate. Place upper end of sash chain from the tire side through hole in bearing retainer tab and secure with hair pin cotter.



ASSEMBLY INSTRUCTIONS FOR TURF TENDER WITH *FIXED-RATE* BOTTOM HITCH ASSEMBLY



1. INSTALL WHEELS, HITCH PIN AND POLE

Remove contents from cartons. If installing 16-inch pneumatic tires, place adaptor (28427155-6) on rotor bar shaft and secure with spring pin. Slip wheel over adaptor and secure with clevis pin and hair pin cotter. If installing 20-inch or 26-inch semi-pneumatic tires, slip wheel over rotor shaft and secure with cotter pin. Remove 5/16 nut from center bearing bolt located on the cam gauge side of hopper. Install pole clevis (2899-7) to hopper on center bearing bolt and secure with 5/16 nut. Remove 5/16 bolts from hitch pin (2806916). Place hitch pin opposite end from notch in hitch pole (2806915) and secure with 5/16 bolts. Place pole in pole clevis so that the hitch pin will be down when spreader is in operating position. Secure pole to clevis using 5/16 x 2 bolt and nut.

3. INSTALL CRANK

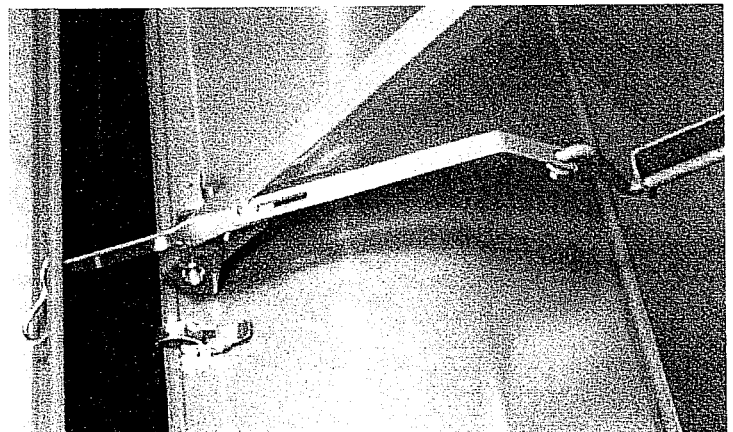
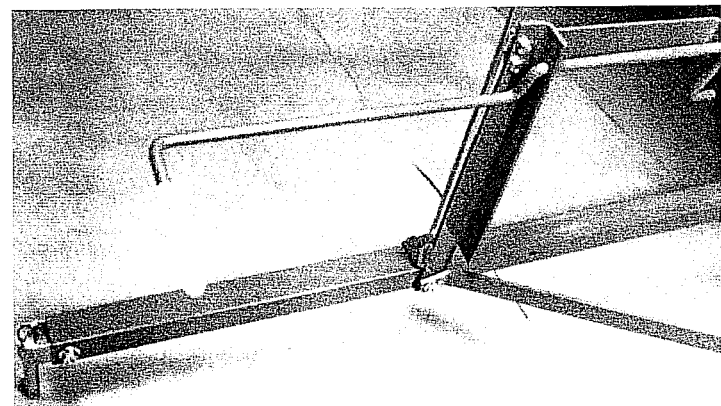
Place yellow grip on end of crank (2808942-3) and thread crank through support, from the front, past the second bend. Slip rear crank support (28427136) over end of crank, past second bend, and position to the right of the front crank support. Secure with two 1/4 x 3/4 bolts and nuts. Move handle to the right.

2. INSTALL BRACES AND CRANK SUPPORT

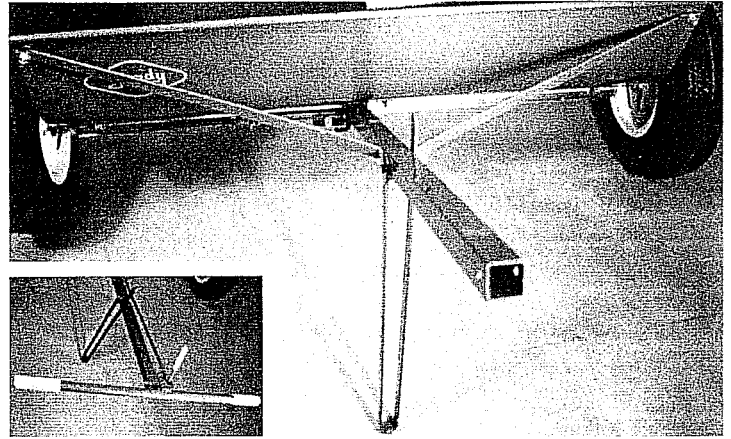
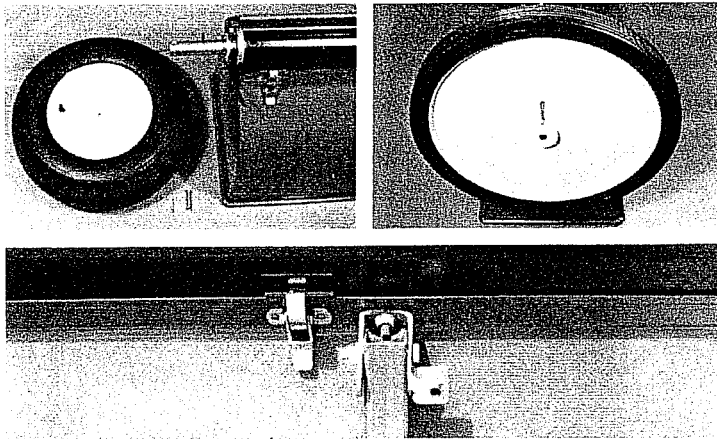
Insert 5/16 x 5/8 bolt through hole in upper end of right brace (28427117-2) and place through hole in hopper. Leave nut loose. Repeat for left brace (28427117-1). Secure braces and forward crank support (28427135) to hitch pole using 5/16 x 2-1/2 hex bolt. Insert bolt through brace, forward crank support, hitch pole, forward crank support and other brace. Secure with nut.

4. INSTALL CONNECTING STRAP

Place lower spread plate strap (2808942-4) through slot in spread plate (2808942-1) from above. Install hair pin cotter in lower hole beneath plate. Hang upper strap (2808942-5) on end of crank. Secure 3/8 wrought washer in place with cotter pin 1/8 x 3/4. Close shut-off lever. Put lower strap bolt through upper strap slot. Apply pressure at both ends of connecting strap to get desired sealing pressure against bottom. Tighten nut. Tighten bolts in braces.



ASSEMBLY INSTRUCTIONS FOR TURF TENDER WITH *FIXED-RATE* BOTTOMS HANDLE ASSEMBLY



1. INSTALL WHEELS, HANDLE AND POLE

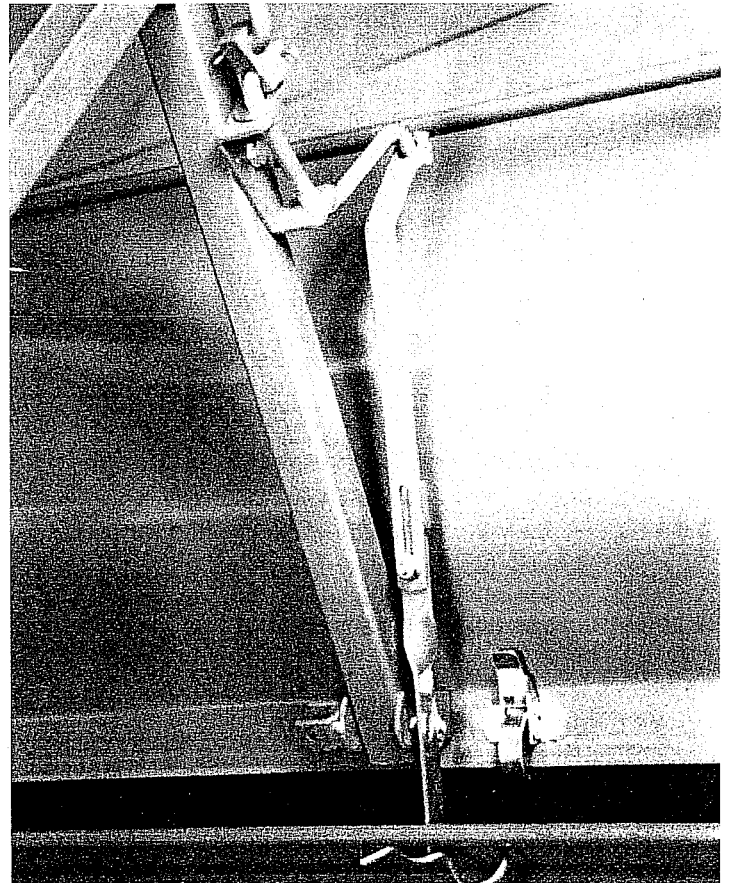
Remove contents from cartons. If installing 16-inch pneumatic tires, place adaptor (28427155-6) on rotor bar shaft and secure with spring pin. Slip wheel over adaptor and secure with clevis pin and hair pin cotter. If installing 20-inch or 26-inch semi-pneumatic tires, slip wheel over rotor shaft and secure with cotter pin. Remove 5/16 nut from center bearing bolt located on the cam gauge side of hopper. Install pole clevis (2899-7) to hopper on center bearing bolt and secure with 5/16 nut. Place handle pole with notched end in pole clevis with notch up. Secure pole to clevis using 5/16 x 2 bolt and secure with nut.

3. INSTALL SHUT-OFF ASSEMBLY

Slip 5/16 x 1-3/4 bolt through hole in crank rod bracket (28427225-6). Slip short arm of crank (2808942-6) through hole in crank rod bracket from the outside and push through slot. Adjust crank so longer arm is in down position. Attach bracket to pole. Slip 3/8 wrought washer over short arm of crank rod. Slip knuckle joint (28427225-8) over short arm of crank rod and secure with cotter pin. Position longer end of crank rod in up position. Slip control lever (28427225-9) through lever hole in handle, then through hole in knuckle from outside. Secure with 1/8 x 3/4 cotter pin. Place yellow grip on control lever. Attach adjustable strap (2808942-5), with bend toward hopper, to crank using 3/8 wrought washer and 1/8 x 3/4 cotter pin. Slip lower strap (2808942-4) with bolt up, through slot in spread plate. Insert hair pin cotter through hole in strap. Attach adjustable strap to lower strap using flange nut. Leave loose. Close shut-off lever. Apply pressure at both ends of connecting strap to get desired sealing pressure against bottom. Tighten nut.

2. INSTALL BRACES, STAND AND "T" HANDLE

Insert 5/16 x 5/8 bolt through hole in upper end of right brace (28427125-2) and place through hole in hopper. Leave nut loose. Repeat for left brace (28427125-1). Secure braces and stand to pole using 5/16 x 2-1/2 bolt inserting through right brace, stand, top middle hole in handle pole, stand and left brace. Secure with nut. Remove 5/16 x 5/8 bolts from "T" handle. Attach "T" handle to pole with tab up using 5/16 x 5/8 bolts. Place yellow grips on handle.



MAINTENANCE

EMPTY WHEN FINISHED - REMOVE HOPPER BOTTOM AND ROTORS

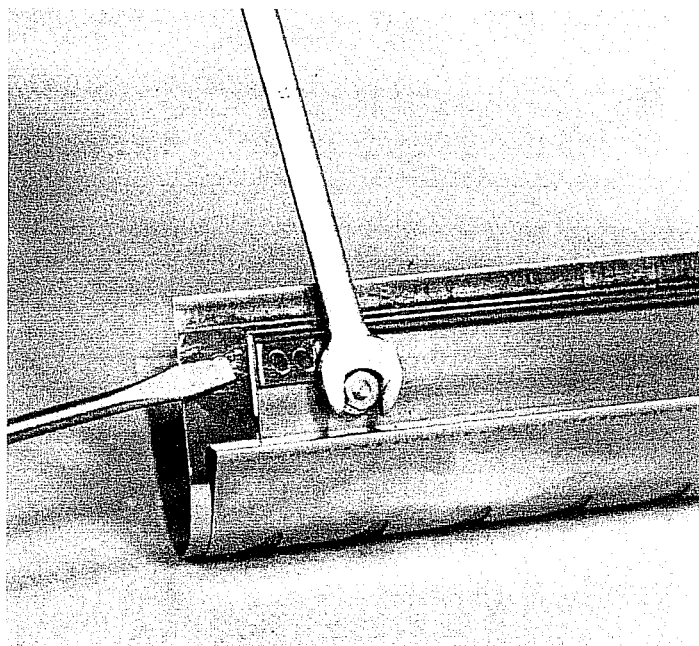
1. After hopper has been emptied, pull out hair pin cotters and remove wheels. Remove hair pin cotter that connects lever to spreading plate.
2. Loosen six latches that secure bottom and slide to hopper. (Lift spreading plate for easy access to rear latches.)
3. Loosen wing nuts on bearing retainers and remove bottom.
4. Remove rotors.
5. Some materials have a fine powder in the mixture; it may be necessary to oil the bearings more often to prevent the powder from working into the bearings.

IF NECESSARY, REMOVE SLIDE FROM HOPPER FOR CLEANING.

Some materials may build up on the hopper bottom, especially when atmospheric humidity is high. It may be wise to remove the slide from the bottom for cleaning.

To remove the slide, remove the four nuts, nylon washers and slide hanger.

RE-ASSEMBLE CAREFULLY



RE-ASSEMBLE SLIDE ONTO HOPPER BOTTOM.

For proper slide tension, gently drive the hanger to the left, using a screw driver against the tab at the right end of the hanger. When the end of the hanger lines up with the scribed line on the hopper bottom, slide tension is correct. Bottom is ready for reinstallation.

CALIBRATION

1. DETERMINE SPEED

88 feet in one minute equals one mile per hour
176 feet in one minute equals two miles per hour
264 feet in one minute equals three miles per hour
352 feet in one minute equals four miles per hour
440 feet in one minute equals five miles per hour
528 feet in one minute equals six miles per hour

2. SET GAUGE

Refer to rate charts included with your Turf Tender. (NOTE: for products not listed in the charts, please contact the Gandy Company for free calibration upon

submission of product.) Remember, the settings in the charts are guides, for beginning. You should check your results, as outlined in Step 3, Page 7.

You can 'fine tune' the gauge with extreme precision. The first half of the gauge is marked in increments of one. (Second half in increments of five.) If you tune to a tenth of one gauge stop (set at 27.8 instead of 27.7), the slide will open approximately one thousandth of an inch more. You can be sure of this because the gauge is attached directly to the slide - there is no linkage 'slack' possible.

When setting the gauge, use the top surface of the stop as the indicator to tell you where the gauge is set.

NOTE: ALWAYS MOVE THE GAUGE AWAY FROM THE STOP, BEFORE ATTEMPTING TO SET THE GAUGE.

3. CHECK RATE

Making a precision application is now simply a matter of filling up the hopper, moving the lever so the gauge is against the stop, walking and/or driving at your selected speed, and checking your rate.

Most rates are expressed in terms of pounds applied per thousand square feet. Check your rate as follows.

Fill the hopper level full. Treat known area, such as 1,000 square feet. Take enough material to more than fill the hopper full again, and weigh it. Re-fill the hopper

level full and weigh the material left over, to see how much was applied on the 1,000 feet. If necessary, adjust gauge up or down and make another application.

You can make the check on smaller areas, such as 500 square feet, or 250 square feet, using 1/2 or 1/4 of the rate per 1,000.

It is important that you check your rate, to see that the setting you chose from the chart is giving you the results you want. Atmospheric conditions alone can affect the flow of materials.

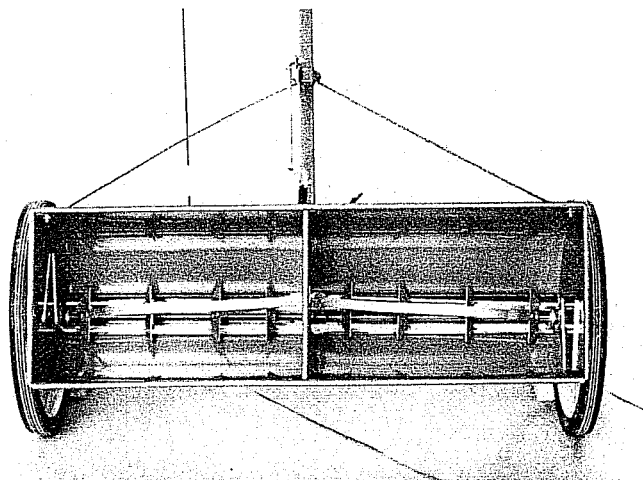
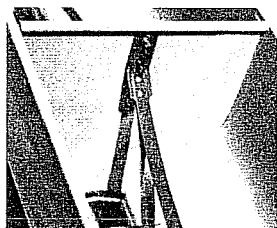
CAUTION: When applying high potency fertilizers that will burn, be sure to be moving when you open the slide or lower the spreading plate for application.

EXTRA EQUIPMENT

JIGGERS

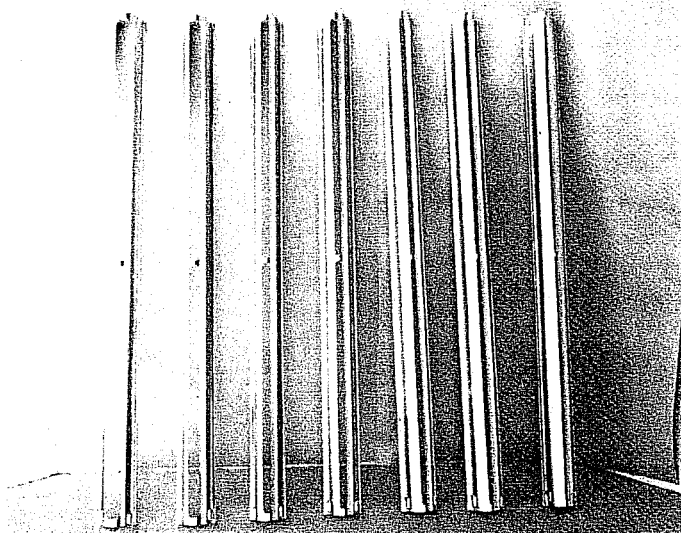
Dry free-flowing top dressing or lime may require jiggers mounted inside of hopper to reduce the possibility of materials bridging. ***Do not attempt to apply wet soil or damp lime even with the jiggers.*** Jiggers are an accessory available from the dealer that handles Gandy Turf Tenders.

A jigger is placed inside each half of the hopper to rest on the rotor and, using thumb screws, they are secured together at the center through holes provided in hopper divider.

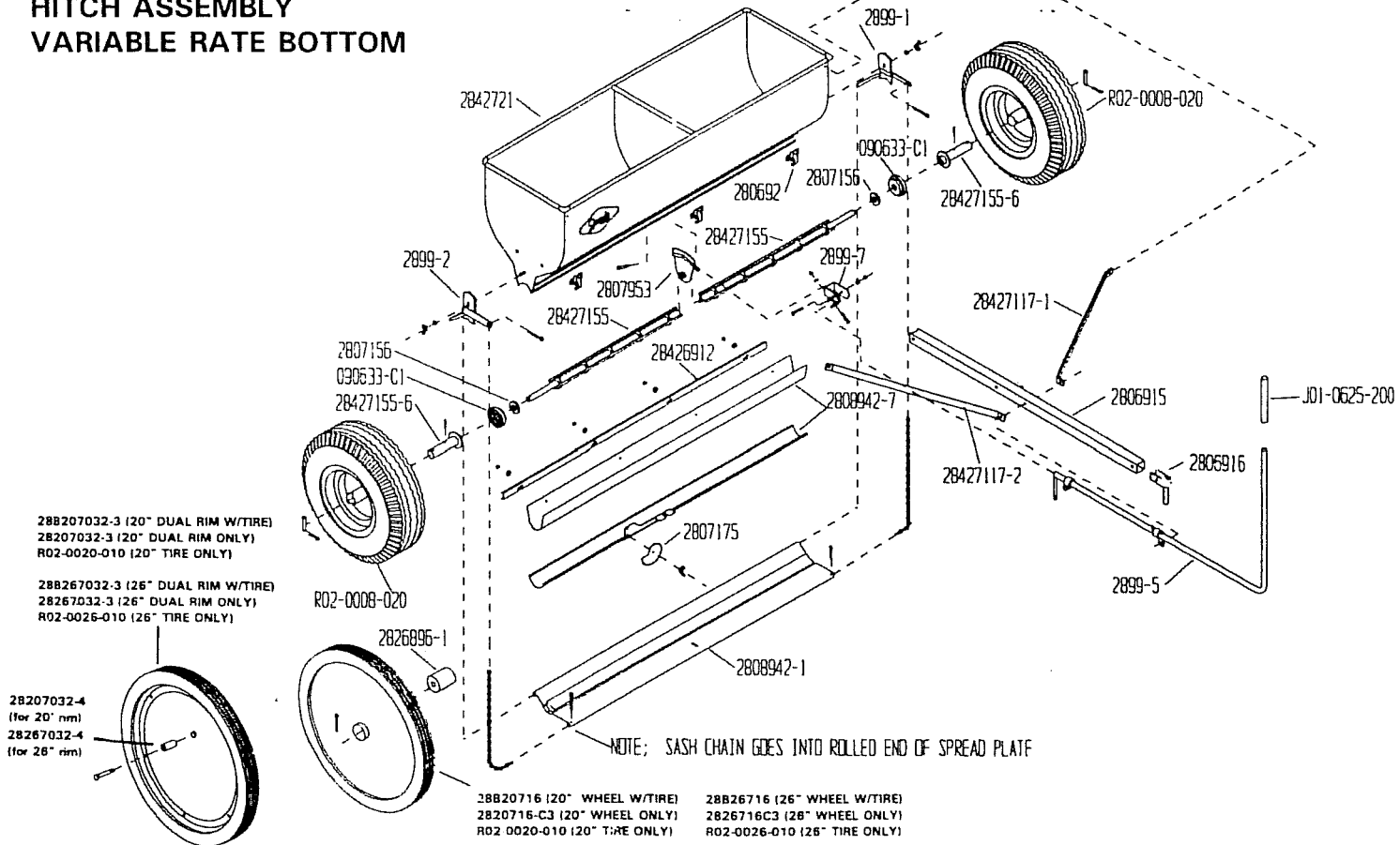


FIXED-RATE BOTTOMS

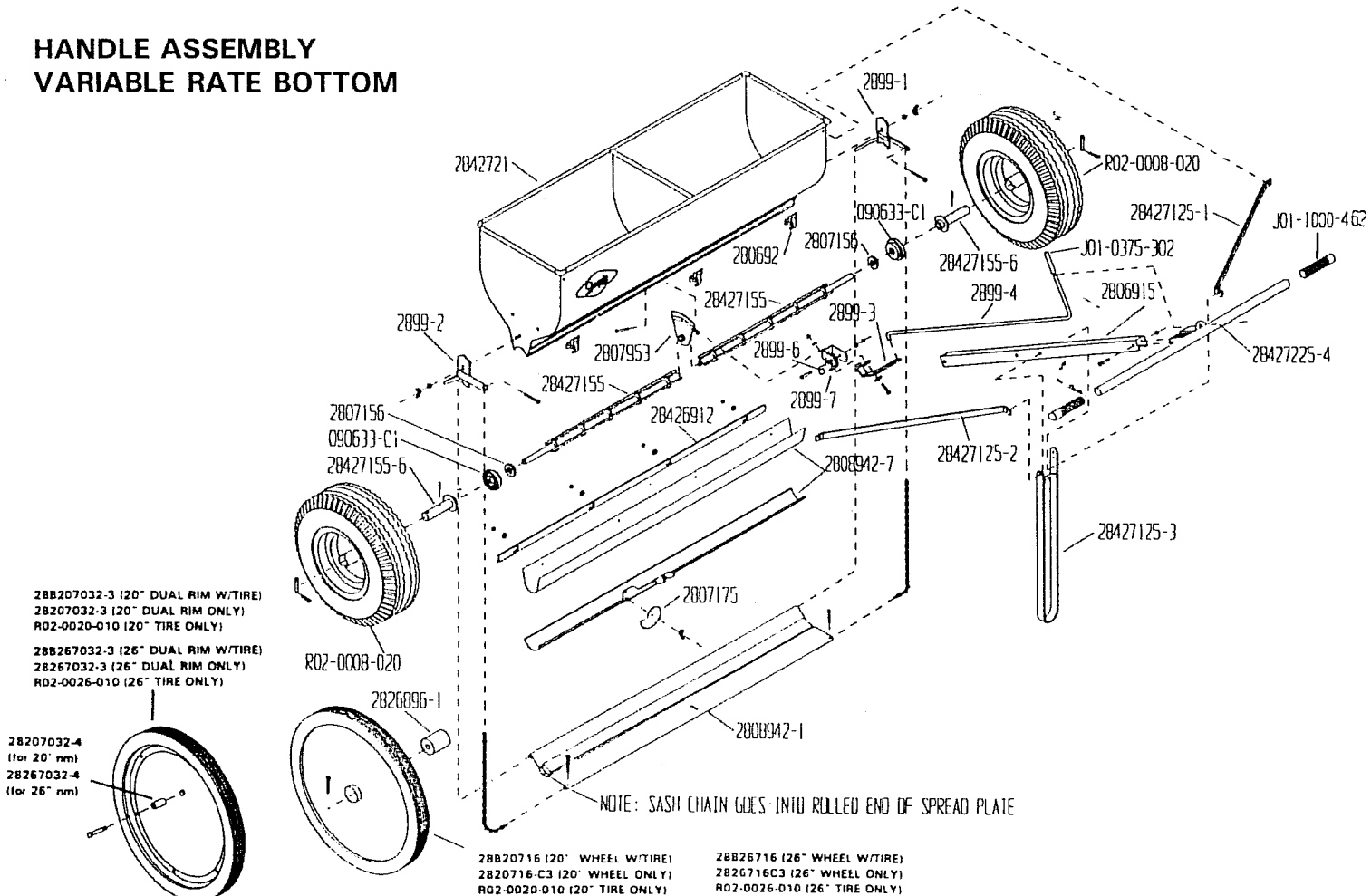
A number of fixed-rate bottoms can be installed in place of the regular stainless steel variable rate bottom and slide using a spread plate shut-off with the fixed rate bottom. The full length slotted bottoms vary in slot width from 3/16-inches wide to 1-1/2-inches wide. They are used for applying high rates of various dry, free-flowing materials such as lime, composted manure and top dressing.



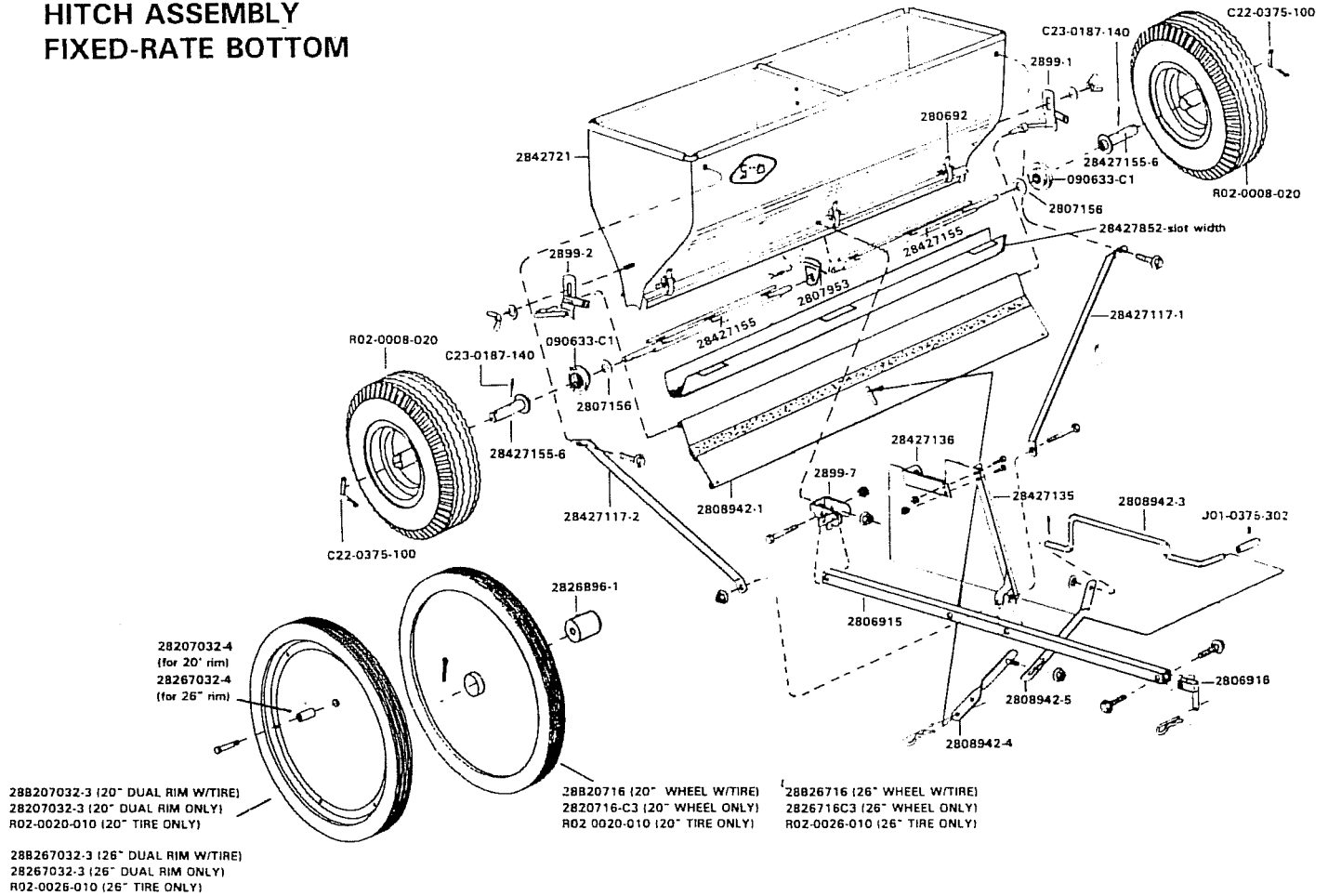
HITCH ASSEMBLY VARIABLE RATE BOTTOM



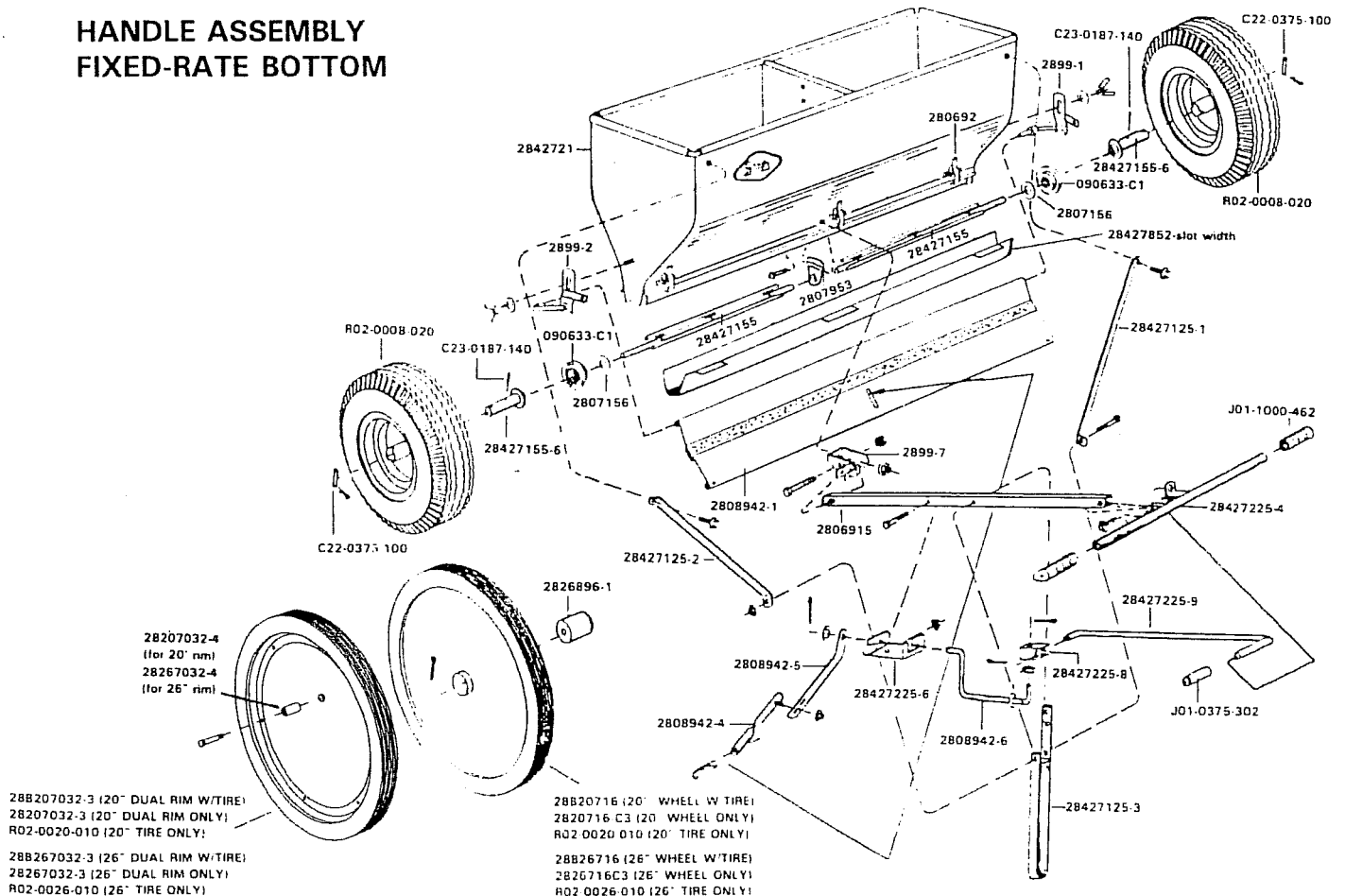
HANDLE ASSEMBLY VARIABLE RATE BOTTOM



HITCH ASSEMBLY FIXED-RATE BOTTOM



HANDLE ASSEMBLY FIXED-RATE BOTTOM



PARTS LIST

PARTS NO.	NO.PCS.	DESCRIPTION
2842721	1	Hopper with latches, less bottom
280692	6	Latches
2807953	1	Bearing, center
C03-0312-042	1	Hex screw TC (5/16 x 1)
C01-0312-030	1	Whiz lock flange nut (5/16 - 18)
090633-C1	2	Bearing, end
2899-1	1	Retainer, end bearing, left
C02-0312-030	1	Wrought washer (5/16)
C01-0312-020	1	Wing nut (5/16 - 18)
2899-2	1	Retainer, end bearing, right
C02-0312-030	1	Wrought washer (5/16)
C01-0312-020	1	Wing nut (5/16 - 18)
28427155	2	Rotor bar, tri-rod
2807156	2	End washer, rotor bar
2808942-7	1	Hopper bottom with rate control slide
C02-0250-011	4	Nylon-grip washer (1/4)
C01-0187-041	4	Kep nut (10 -24)
C02-0312-020	1	SAE washer (5/16)
C01-0312-020	1	Wing nut (5/16 - 18)
28426912	1	Slide hanger
2807175	1	Cam gauge
2808942-1	1	Spread plate
F03-0025-016	2	Sash chain #25, 16 link
C21-0072-020	2	Hair pin cotter (.08 x 1-9/16)
C20-0093-020	2	Cotter pin (3/32 X 3/4)
M05-0500-175	3.5 ft.	Seal, soft rubber
R02-0008-020	2	Pneumatic tire mounted on wheel
28427155-6	2	Adaptor, wheel
C23-0187-140	2	Spring pin (3/16 x 1)
C22-0375-100	2	Clevis pin (3/8 x 1-3/4)
C21-0072-020	2	Hair pin cotter (.080 x 1-9/16)
28B20716	2	20-inch semi-pneumatic tire , wheel and adaptor
2820716-C3	2	Wheel only, 20-inch
R02-0020-010	2	Semi-pneumatic tire only, 20-inch
2826896-1	2	Adaptor only
C20-0187-080	2	Cotter pin (3/16 x 2-1/2)
28B26716	2	26-inch semi-pneumatic tire, wheel and adaptor
2826716-C3	2	Wheel only, 26-inch
R02-0026-010	2	Semi-pneumatic tire only, 26-inch
2826896-1	2	Adaptor only
C20-0187-080	2	Cotter pin (3/16 x 2-1/2)
28B207032-3	2	Dual rim, 20-inch with tire mounted
28207032-3	2	Dul rim only, 20-inch
R02-0020-010	2	Semi-pneumatic tire only, 20-inch
28207032-4	12	Bushing, spacer
C03-0312-090	12	Hex bolt (5/16 x 2-1/4)
C01-0312-030	12	Flange nut (5/16)
28B267032-3	2	Dual rim, 26-inch with tire mounted
28267032-3	2	Dual rim only, 26-inch
R02-0026-010	2	Semi-pneumatic tire only, 26-inch
28267032-4	12	Bushing, spacer
C03-0312-090	12	Hex bolt, (5/16 x 2-1/4)
C01-0312-030	12	Flange nut (5/16)

HITCH ASSEMBLY FOR VARIABLE RATE BOTTOM

2806915	1	Hitch pole
2806916	1	Hitch pin
C03-0312-021	2	Whiz lock flange bolt (5/16 x 5/8)
C21-0177-020	1	Hair pin cotter (3/16)
28427117-1	1	Pole brace, left
C03-0312-021	1	Whiz lock flange bolt (5/16 x 5/8)
C03-0312-090	1	Hex bolt (5/16 x 2-1/4)
C01-0312-030	2	Whiz lock flange nut (5/16 - 18)
28427117-2	1	Pole brace, right
C03-0312-021	1	Whiz lock flange bolt (5/16 x 5/8)
C01-0312-030	1	Whiz lock flange nut (5/16 - 18)
2899-7	1	Clevis, hitch pole
C03-0312-050	1	Hex bolt (5/16 x 1-1/4)
C03-0312-080	1	Hex bolt (5/16 x 2)
C01-0312-030	2	Whiz lock flange nut (5/16 - 18)
2899-5	1	Shut-off lever
J01-0625-200	1	Yellow grip (5/8 x 2)

PARTS LIST

PART NO.	NO. PCS.	DESCRIPTION
HANDLE ASSEMBLY FOR VARIABLE RATE BOTTOM		
2806915	1	Hitch pole
28427125-1	1	Pole brace, left
C03-0312-021	1	Whiz lock flange bolt (5/16 x 5/8)
C01-0312-030	1	Whiz lock flange nut (5/16 - 18)
28427125-2	1	Pole brace, right
C03-0312-021	1	Whiz lock flange bolt (5/16 x 5/8)
C01-0312-030	1	Whiz lock flange nut (5/16 - 18),
2899-7	1	Clevis, hitch pole
C03-0312-080	1	Hex bolt (5/16 x 2)
C01-0312-030	1	Whiz lock flange nut (5/16 - 18)
28427225-4	1	"T" handle
C03-0312-021	2	Whiz lock flange bolt (5/16 x 5/8)
J01-1000-462	2	Yellow grip (1 x 4 - 5/8)
28427125-3	1	Stand
C03-0312-080	1	Hex bolt (5/16 x 2-1/2)
C01-0312-030	1	Whiz lock flange nut (5/16 - 18)
2899-3	1	Shut-off pivot arm
2899-6	1	Bushing
C03-0312-070	1	Hex bolt (5/16 x 1-3/4)
C02-0312-030	3	Wrought washer (5/16)
C01-0312-040	1	Lock nut (5/16)
2899-4	1	Shut-off lever
C02-0375-030	1	Wrought washer (3/8)
C20-0093-020	1	Cotter pin (3/32 x 3/4)
J01-0375-302	1	Yellow grip (3/8 x 3)

HITCH ASSEMBLY FOR FIXED RATE BOTTOM

2806915	1	Hitch pole
2806916	1	Hitch pin
C03-0312-021	2	Whiz lock flange bolt (5/16 x 5/8)
C21-0177-020	1	Hair pin cotter (3/16)
28427117-1	1	Pole brace, left
C03-0312-021	1	Whiz lock flange bolt (5/16 x 5/8)
C03-0312-030	1	Whiz lock flange nut (5/16 - 18)
28427117-2	1	Pole brace, right
C03-0312-021	1	Whiz lock flange bolt (5/16 x 5/8)
C03-0312-030	1	Whiz lock flange nut (5/16 - 18)
28427135	1	Angle post, forward crank support
C03-0312-100	1	Hex bolt (5/16 x 2-1/2)
C01-0312-030	1	Whiz lock flange nut (5/16 - 18)
28427136	1	Bracket, rear crank support
C03-0250-030	2	Hex bolt (1/4 x 3/4)
C01-0250-030	2	Whiz lock flange nut (1/4 - 20)
2808942-5	1	Adjustable strap, spread plate
2808942-4	1	Lower strap, spread plate
C01-0250-030	1	Whiz lock flange nut (1/4 - 20)
C21-0177-020	1	Hair pin cotter (3/16)
2899-7	1	Clevis, hitch pole
C03-0312-080	1	Hex bolt (5/16 x 2)
C01-0312-030	1	Whiz lock flange nut (5/16 - 18)
2808942-3	1	Shut-off crank
C02-0375-030	1	Wrought washer (3/8)
C20-0125-020	1	Cotter pin (1/8 x 3/4)
J01-0375-302	1	Yellow grip (3/8 x 3)

PARTS LIST

PART NO.	NO. PCS.	DESCRIPTION
HANDLE ASSEMBLY FOR FIXED RATE BOTTOM		
2806915	1	Hitch pole
28427125-1	1	Pole brace, left
C03-0312-021	1	Whiz lock flange bolt (5/16 x 5/8)
C01-0312-030	1	Whiz lock flange nut (5/16 - 18)
28427125-2	1	Pole brace, right
C03-0312-021	1	Whiz lock flange bolt (5/16 x 5/8)
C01-0312-030	1	Whiz lock flange nut (5/16 - 18)
2808942-6	1	Crank, rod
C02-0375-030	2	Wrought washer (3/8)
C20-0125-020	2	Cotter pin (1/8 x 3/4)
28427225-8	1	Knuckle, joint
2899-7	1	Clevis, hitch pole
C03-0312-080	1	Hex bolt (5/8 x 2-1/2)
C01-0312-030	1	Whiz lock flange nut (5/8 - 18)
28427225-4	1	"T" handle
C03-0312-021	2	Whiz lock flange bolt (5/16 x 5/8)
J01-1000-462	2	Yellow grip (1 x 4-5/8)
28427125-3	1	Stand
C03-0312-100	1	Hex bolt (5/16 x 2-1/2)
C01-0312-030	1	Whiz lock flange nut (5/16 - 18)
28427225-6	1	Bracket, crank rod
C03-0312-070	1	Hex bolt (5/16 x 1-3/4)
C01-0312-030	1	Whiz lock flange nut (5/16 - 18)
28427225-9	1	Control lever
C20-0125-020	1	Cotter pin (1/8 x 3/4)
J01-0375-302	1	Yellow grip (3/8 x 3)
2808942-5	1	Adjustable strap, spread plate
2808942-4	1	Lower strap, spread plate
C01-0250-030	1	Whiz lock flange nut (1/4 - 20)
C21-0177-020	1	Hair pin cotter (3/16)

LIMITED WARRANTY

The Gandy Company warrants all material and workmanship on Gandy® equipment delivered to be free of defects for a period of 24 months from date of original purchase. Products used on a commercial, rental or leased basis are warranted for 90 days. Any part or parts thought to be defective within these warranty periods are to be returned through your servicing dealer or distributor to the Gandy Company's plant. Distributor or dealer must receive authorization from Gandy Company to return items under warranty. An authorization number will be issued and must be clearly visible on all packages returned to the factory. If found defective by Gandy Company, replacement parts will be forwarded free of charge, prepaid. No service, labor charge or expense on the equipment will be allowed unless such expense has been previously authorized in writing by the Gandy Company. Serial number and model of the unit involved is required by the Gandy Company on all warranty claims. Gandy Company policy is to improve products whenever it is practical to do so. It reserves the right to make changes or add improvements at any time without incurring any obligation to make such changes on products sold previously. This warranty does not apply to products altered or misused by users after the point of manufacture.

This warranty against defects in material and workmanship is in lieu of all other warranties, expressed or implied, and there are no other warranties of any kind whatsoever including, but not limited to, any implied warranty of merchantability or fitness for any particular purpose. In no event shall the company be liable for any incidental or consequential damages whether for breach of warranty, for breach or repudiation of any other term or condition hereof, or for negligence, on the basis of strict liability, or for any other reason.



GANDY COMPANY Manufacturers

SINCE 1936, THE GRANULAR APPLICATOR PEOPLE

Telephone: 507/451-5430 800/443-2476 U.S.A. 800/597-4263 Canada Fax: 507/451-2857
 Web site: www.gandy.net E-mail: custsrv@gandy.net