
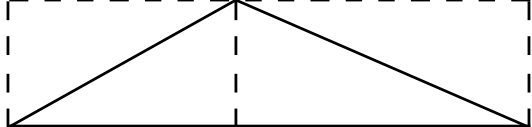


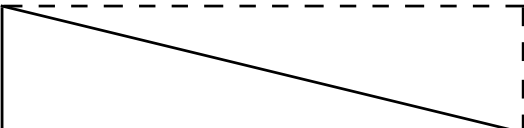
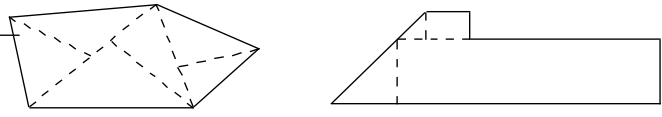


Operating Instructions

5F & 10F Measuring Wheels

- 1) Hold handle grips with hands extended slightly forward and downward in a natural walking position and to where measurement is to begin.
- 2) Turn counter reset knob forward (clockwise) until all digits read zero.
- 3) Whenever possible, select an object in the distance toward which you can walk while traversing the ground being measured. This will enable you to maintain a straight line.
- 4) When measuring on a gravel road or rough ground, the operator should walk at a slower pace so the wheel does not bounce.
- 5) At the end of measurement, take the reading while holding handle in the same position as at the start of measurement. Note: The counter indicates the distance in feet.

Measuring Tips

 <p>Rectangle: Multiply length by width to find area. Example: length 600 ft. x width 544-1/2ft. = 326,700/43,500sq.ft. = 7.5 acres.</p>	 <p>Other Triangles: Triangles without a square corner are also half rectangles; multiply length (base) by width (height) measured perpendicular to the base, and divide by two.</p>
 <p>Trapezoid: Average the lengths of the two parallel sides and multiply by width to find area.</p>	 <p>Contour: Treat as a rectangle if the sides are parallel. If the strip is wider at one end, estimate area of triangle and add to rectangle area.</p>
 <p>Right Triangle: Since this is half a rectangle, multiply length (base) by width (height) and divide by two.</p>	 <p>Many-Side Shapes: Break down many-sided areas into shapes you can figure – rectangles, triangles – determine their areas and total.</p>

Gandy Company
815 Rice Lake Street
Owatonna, MN 55060
Website: www.gandy.net



Phone: 507-451-5430
800-443-2476
Fax: 507-451-2857
Email: sales@gandy.net